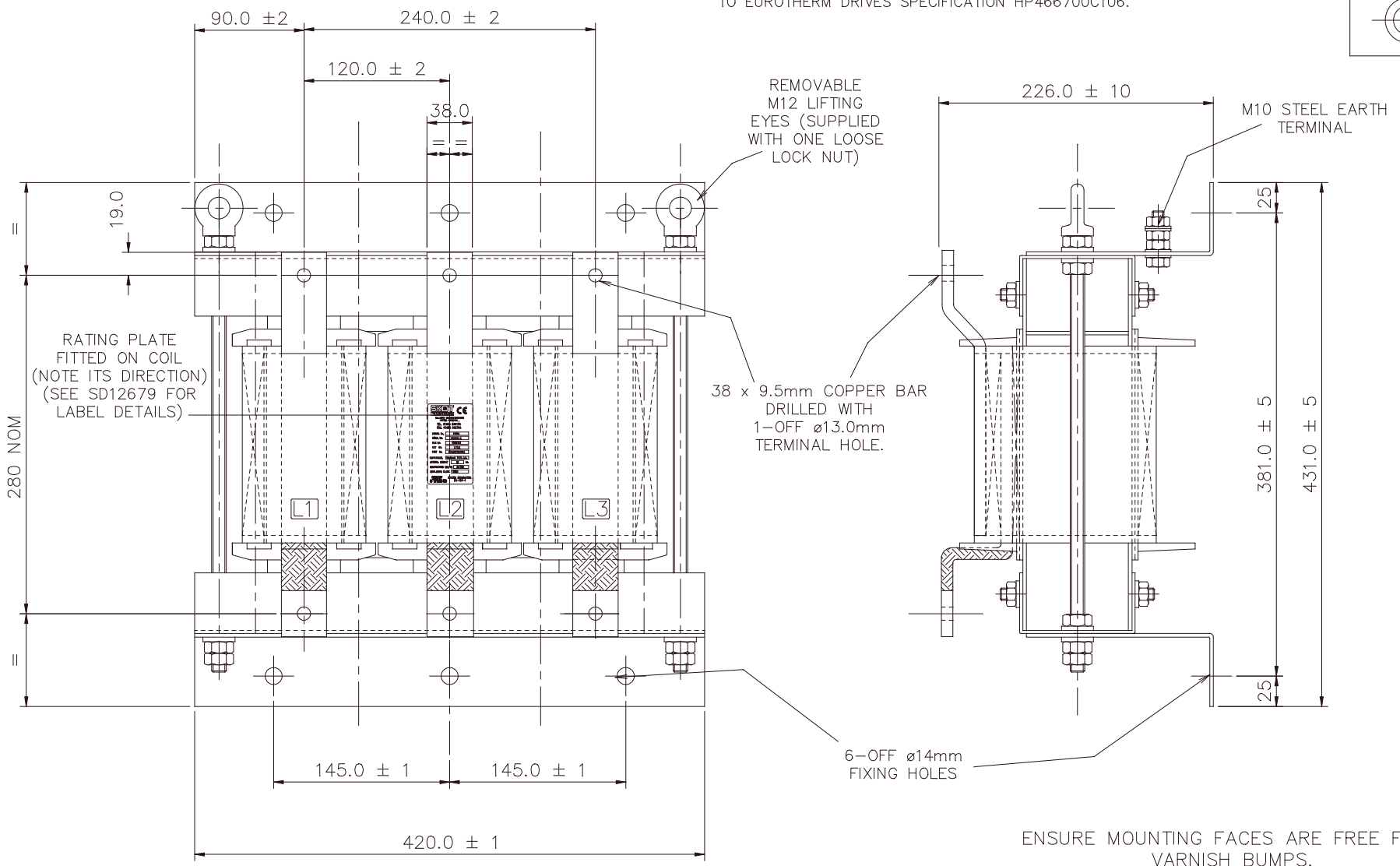


TO EURO THERM DRIVES SPECIFICATION HP466700C106.



APPROX WEIGHT :- 69Kg

ISSUE	DESCRIPTION	APPROVED	DATE	TITLE	DRAWN	CHECKED	APPROVED	DATE
5	D.A 05182	S.DAYUS	16/10/01	3PH REACTOR TO GIVE 15microH AT 747AMPS. DESIGN No 34926 (C0466709U083)	S.D.			01.06.01
6	DA04943/05102/05182 (WK/YEAR CLARIFICATION)	N.G.	09/11/01					
7	REFER TO DA05327.	N.G.	05/08/02	MANUFACTURING TOLERANCES: NO DECIMAL PLACE (0) ±1 ONE DECIMAL PLACE (0.0)±0.5 UNLESS OTHERWISE STATED. ALL DIMENSIONS IN MM.	DRAWING No. SD12676			
8	D.A 06092	S.DAYUS	16/02/04		TEL 01684 569104 FAX 01684 565766 UPPER COLWALL, MALVERN, WORCS WR13 6PL.	SKOT TRANSFORMERS LTD.		