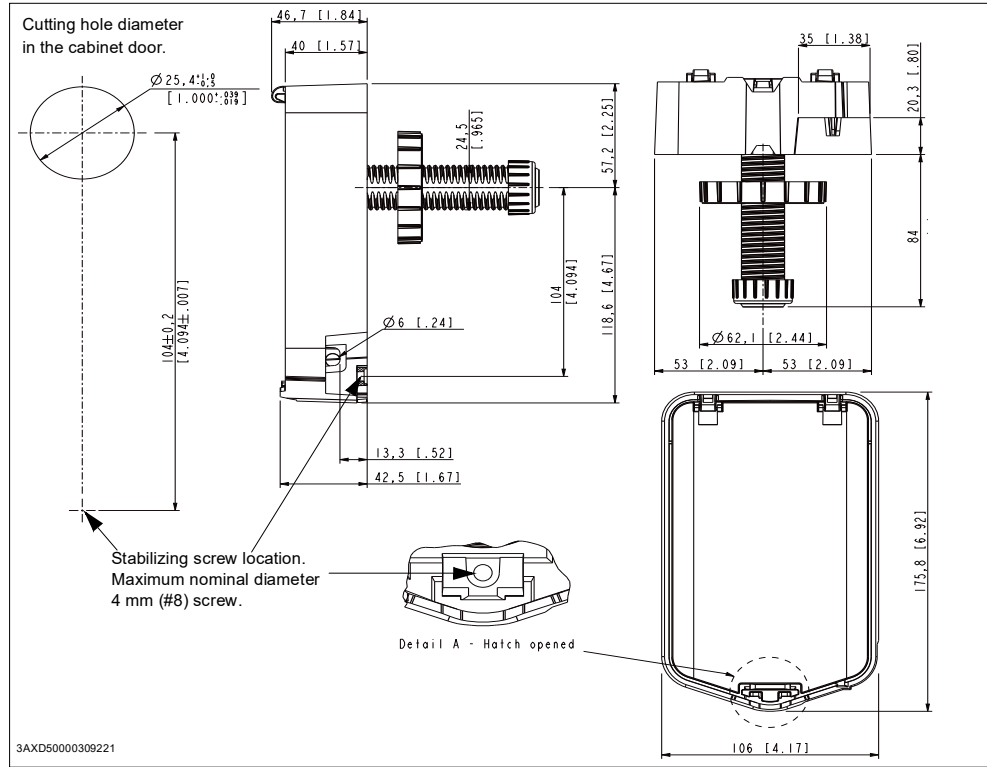


Dimension drawings



Technical data

Impact protection: IK07.

UV protection against sunlight.

Allowed surrounding air temperature: see *ACx-AP-x Assistant control panels user's manual* (3AUA0000085685 [English]). **Note:** If the temperature raises above 45 °C (113 °F), protect the mounting platform from direct sunlight.

Cable: 3 m, Cat 5e UTP. DPMP-04 has a cable with male RJ45 connectors at both ends. DPMP-05 has a cable with a male RJ45 connector at the panel end and a multipole flat connector at the control unit end.

Wall or cabinet door: Maximum thickness 60 mm (2.36 in), flat parallel surface on both sides.

abb.com/drives



3AXD50000308484B

© Copyright 2021 ABB. All rights reserved.
Specifications subject to change without notice.

3AXD50000308484 Rev B (EN) 2021-11-09

OPTIONS FOR ABB DRIVES

DPMP-04 and DPMP-05 mounting platform for control panels

Installation guide

Overview

DPMP-04 and DPMP-05 are lockable door mounting platforms for drive control panels in outdoor installations or harsh environments.

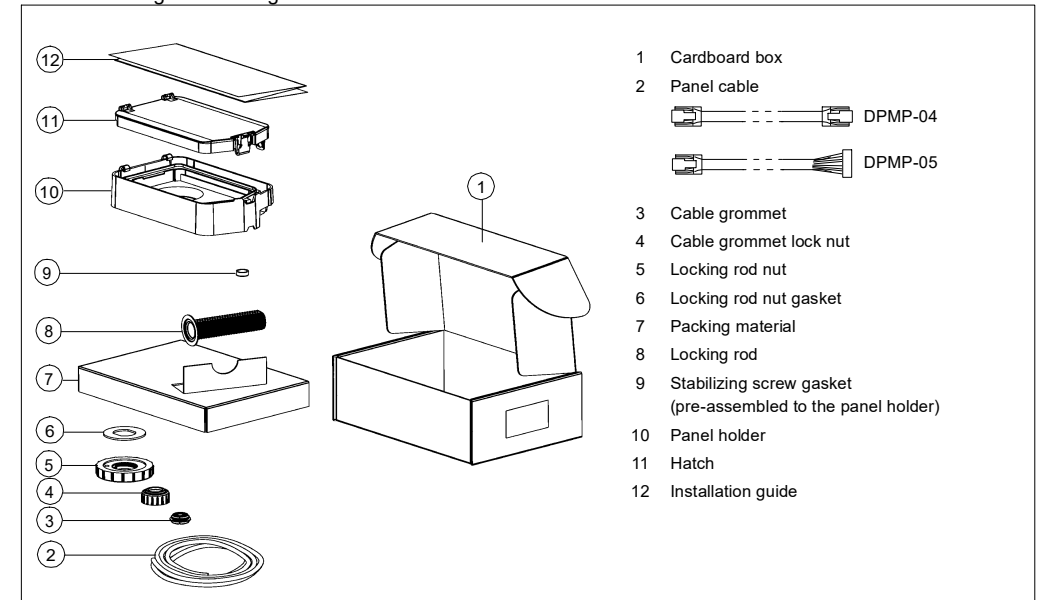
Compatible control panels: ACS-BP-S, ACS-AP-I, ACS-AP-S, ACS-AP-W, ACH-AP-H, ACH-AP-W.

Degrees of protection (inside and outside the cabinet door): IP66, UL and NEMA Types 3, 3R and 4.

Ordering codes: 3AXD50000217717 (DPMP-04), 3AXD50000240319 (DPMP-05).

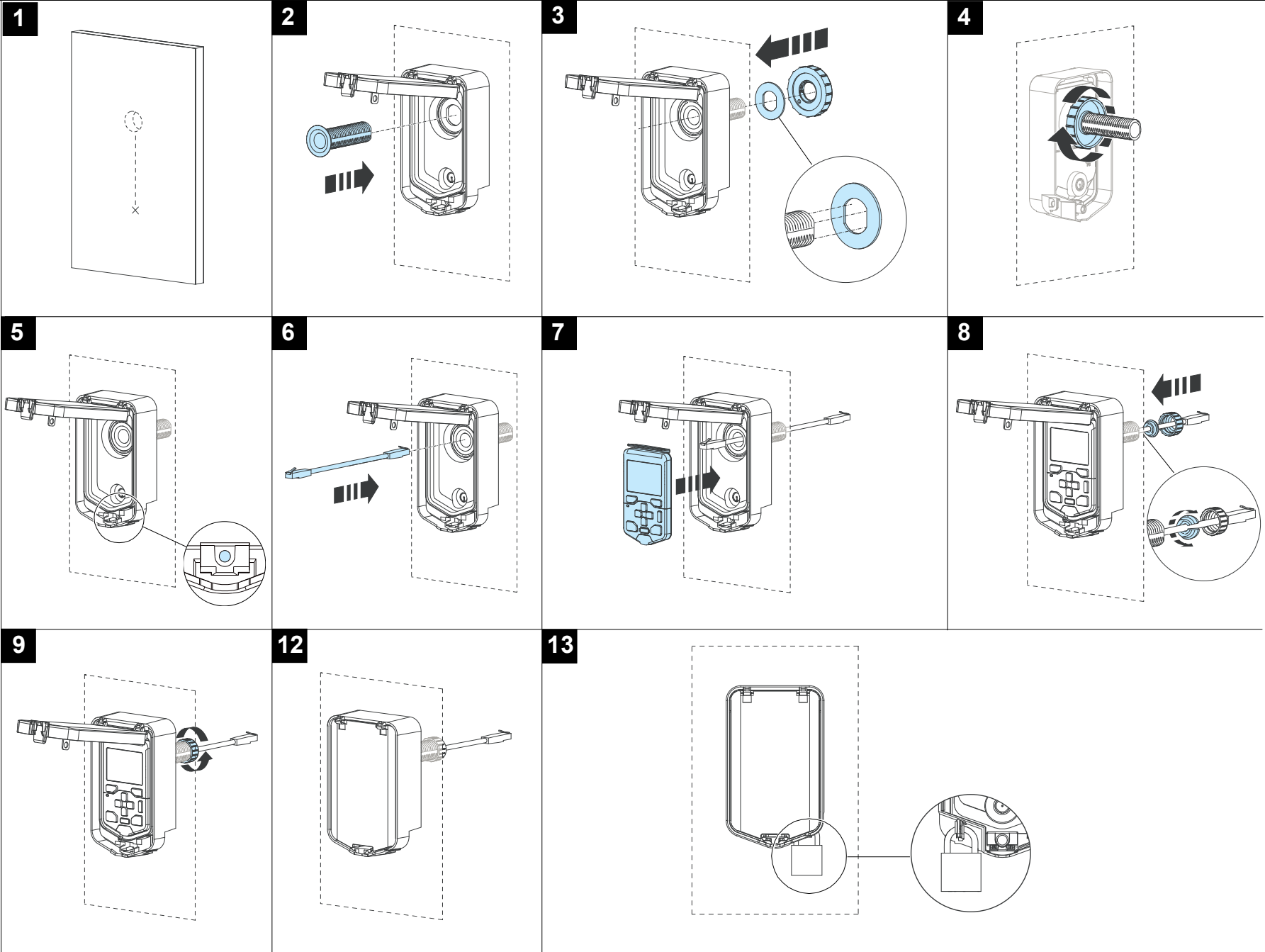
Unpacking and examining the delivery

This figure shows the content of the mounting platform kit package. Examine that all items are present and there are no signs of damage.



Installation instructions

1. Cut a hole in the cabinet door. Mark the stabilizing screw location. See *Dimension drawings* on back page.
2. Align the holes in the panel mounting platform and the cabinet door. Put the locking rod into the hole. **Note:** you can cut the rod to applicable length (minimum rod length: door thickness +30 mm [1.18 in]).
3. Put the locking rod nut gasket and nut on the rod. Align the locking rod nut gasket with the rod.
4. Tighten the locking rod nut.
5. If the platform moves, use a stabilizing screw*. Drill a hole for the screw through the stabilizing screw mounting hole in the panel holder. Make sure that the gasket in the mounting hole stays in position. Fasten the screw.
6. Feed the panel cable through the locking rod.
7. Plug the panel cable into the control panel connector. Put the control panel into the platform.
8. Put the cable grommet around the panel cable. Put the cable grommet lock nut on the rod end.
9. Tighten the cable grommet with the lock nut.
10. Secure the panel cable, for example, with a cable tie to avoid mechanical stress to the panel connector. Leave some loose cable for opening the cabinet door or removing the control panel.
11. Connect the other end of the cable to the appropriate hardware connector. See the drive hardware manual.
12. Assembly with the hatch on.
13. If needed, lock the panel mounting platform with a padlock*.



*Not included in the delivery