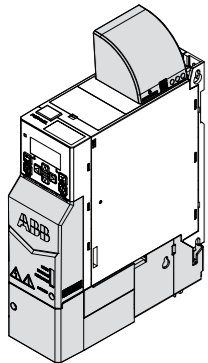


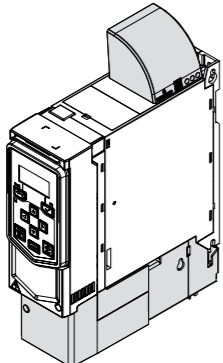
UL Type 1 kit for ACS380, ACH480 and ACS480 drives frames R0 to R2

Installation guide

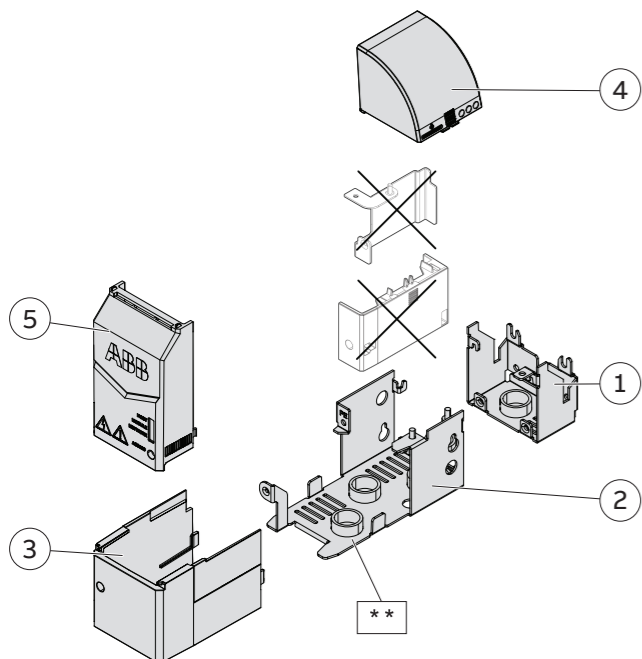
ACS380



ACS480 / ACH480*



3AXD50000235254 Rev G EN 2023-02-22
Original instructions.



M4x10 Pozidriv, 2 pcs.

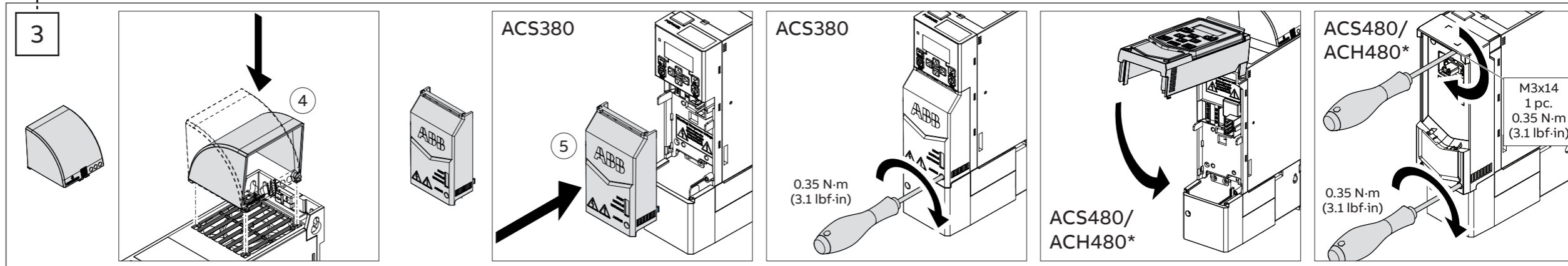
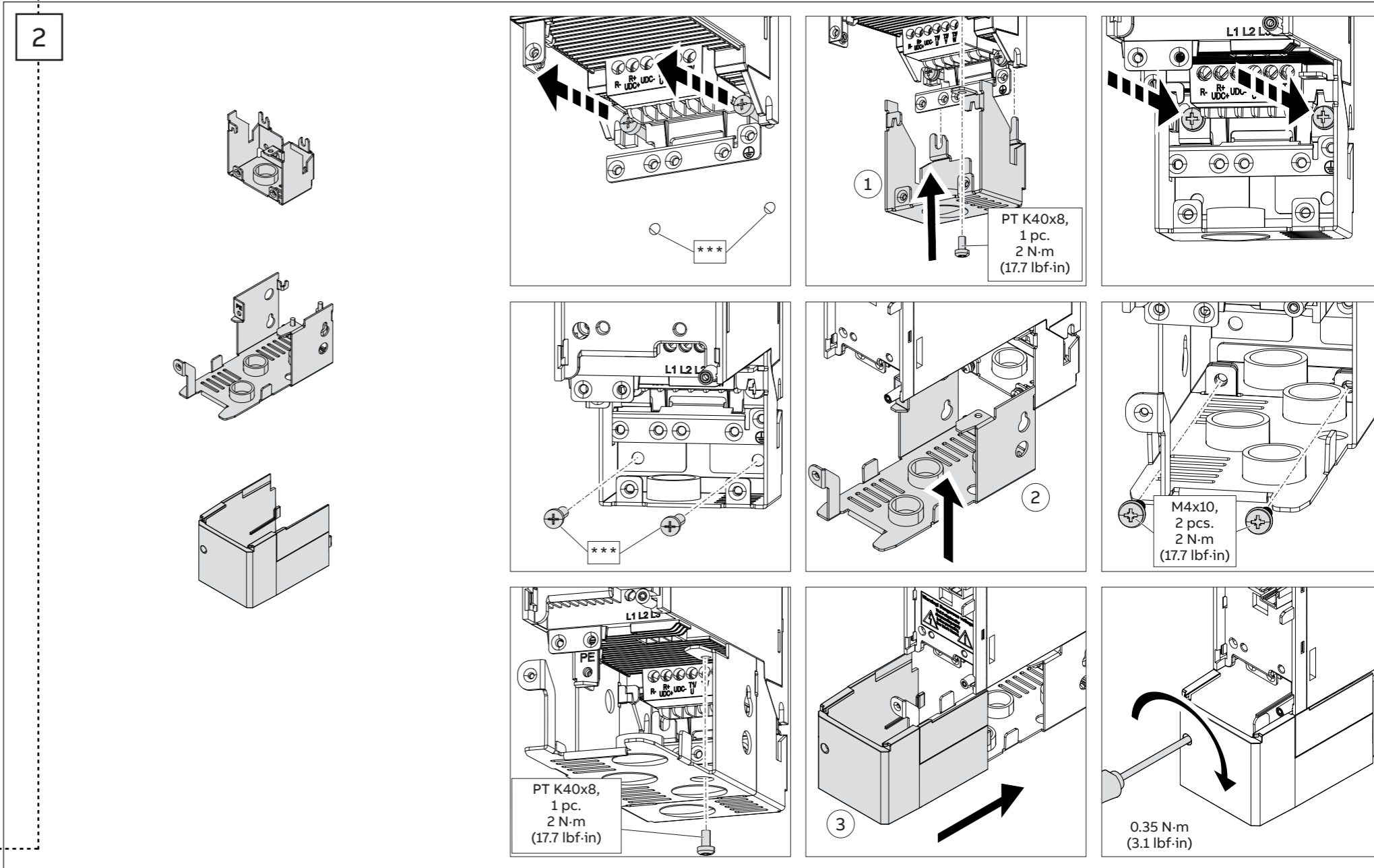
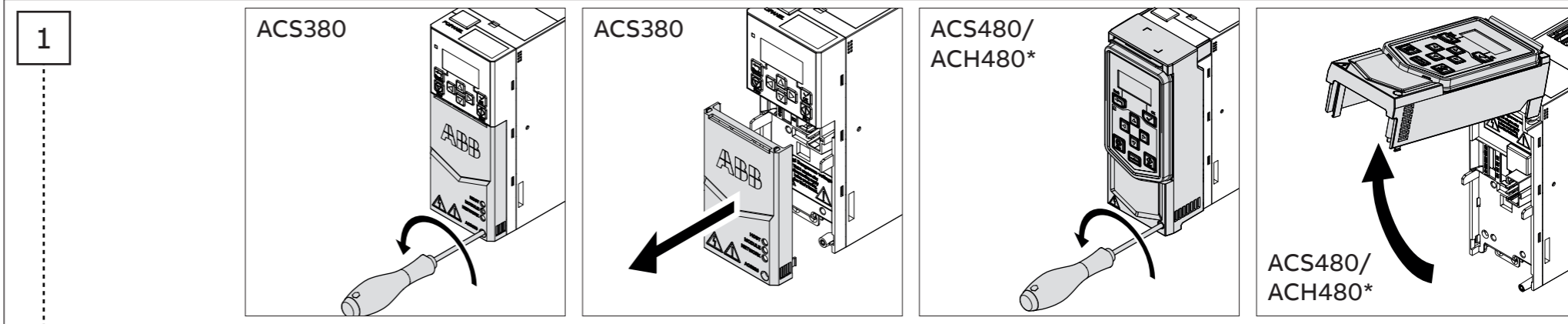
PT K40x8 Pozidriv, 2 pcs.

M3x14 Phillips/Slot, 1 pc.

* = Also for ACS530, ACS560 or similar.

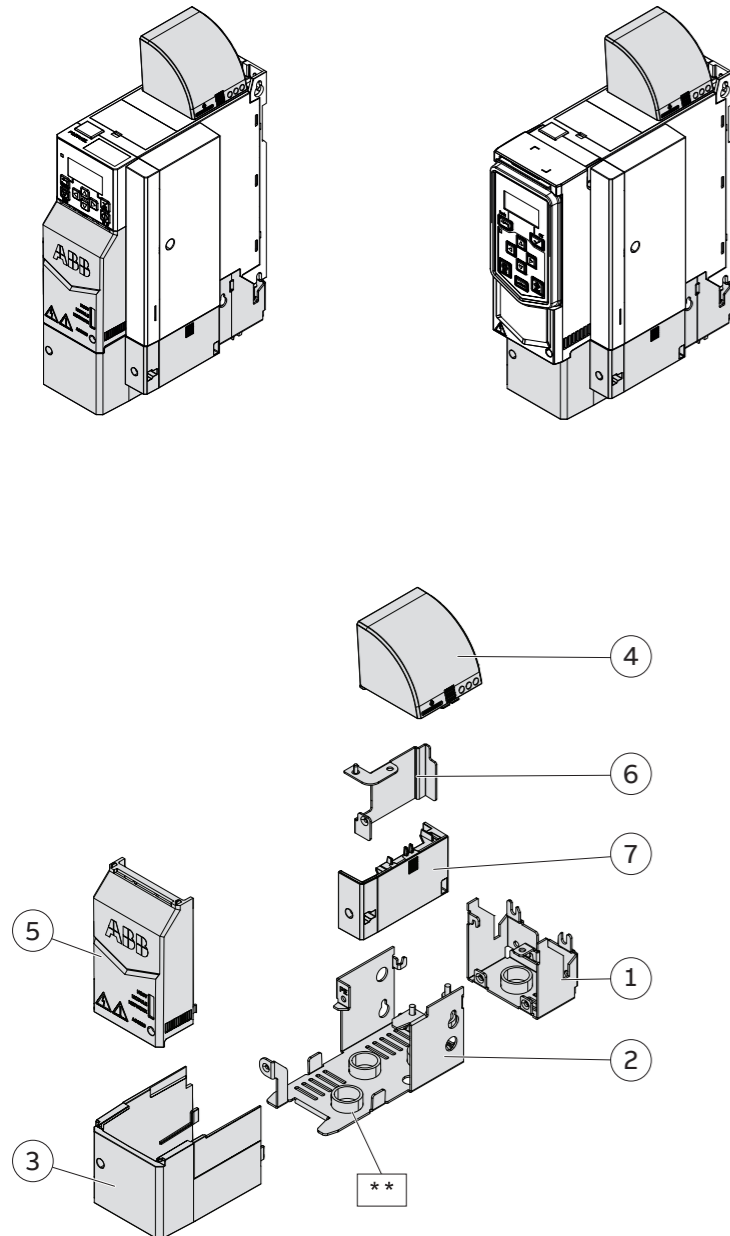
** = Insert plastic plugs into unused conduit plate holes. Plastic plugs are included in the delivery.

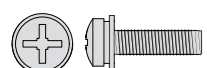
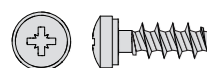
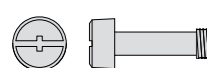
*** = Make two holes for the wall/base fastening (if not yet done). The fastening screws are user-defined. They are not included in the delivery.



ACS380 with
BAPO-01 (option +L534) or
BTAC-02 (option +L535) or
BREL-01 (option +L511)

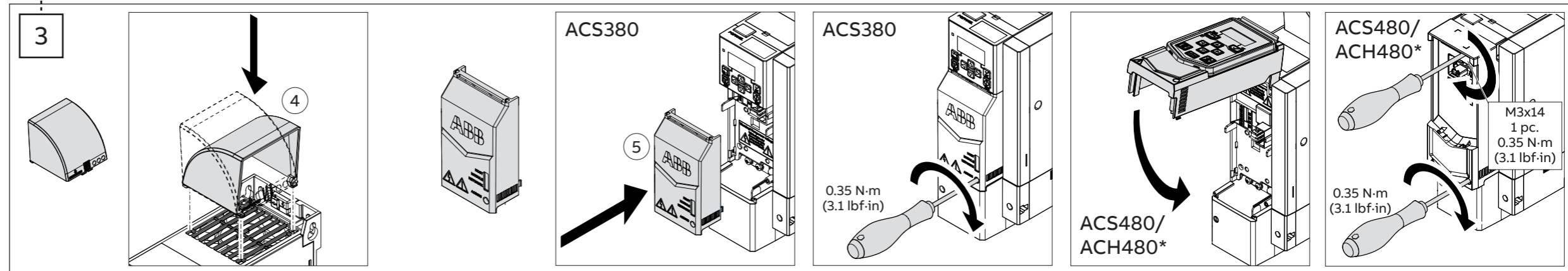
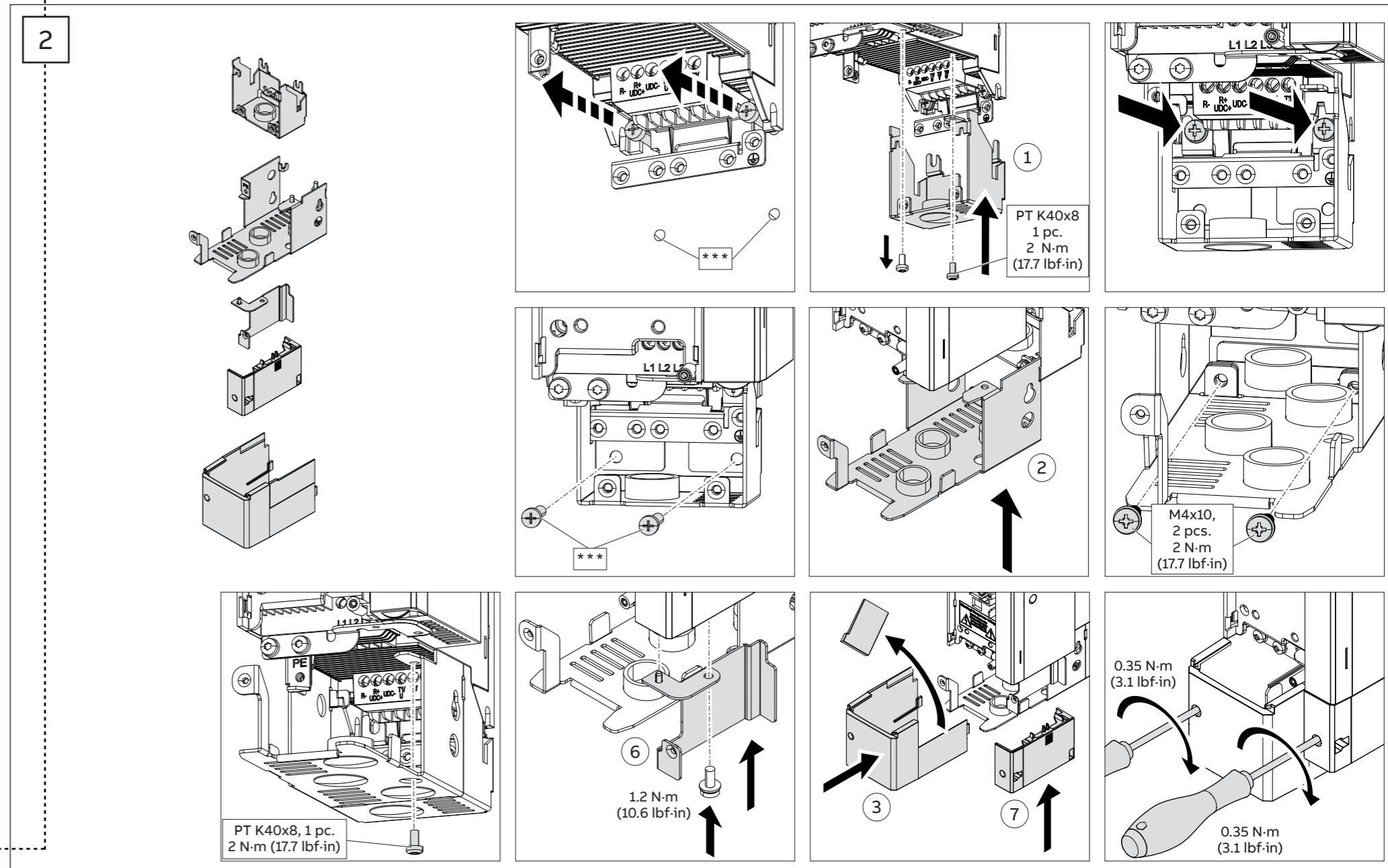
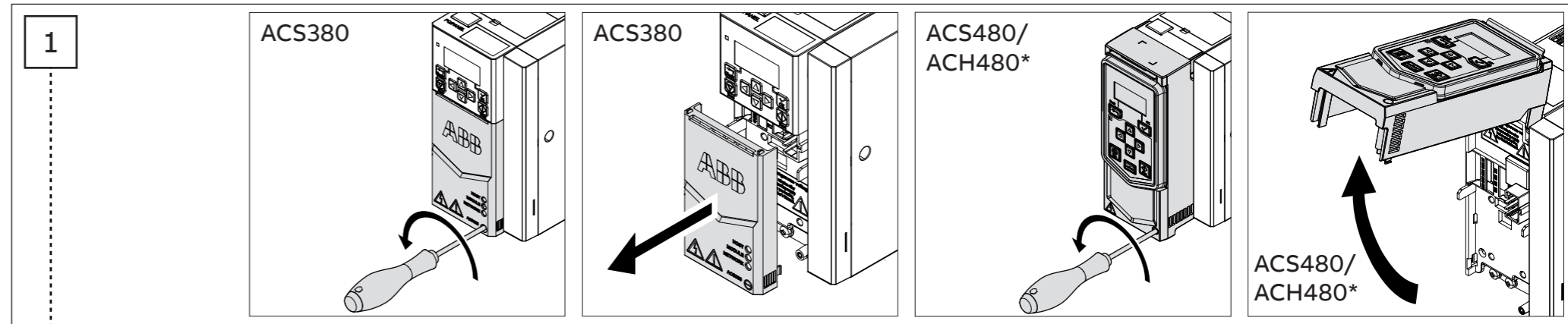
ACS480 / ACH480* with
BAPO-01 (option +L534) or
BREL-01 (option +L511)



-  M4x10 Pozidriv, 2 pcs.
-  PT K40x8 Pozidriv, 2 pcs
-  M3x14 Phillips/
Slot, 1 pc.

* = Also for ACS530, ACS560 or similar.
** = Insert plastic plugs into unused conduit
plate holes. Plastic plugs are included in the deli-
very.
*** = Make two holes for the wall/base fastening
(if not yet done). The fastening screws are user-
defined. They are not included in the delivery.

© 2023 ABB. All Rights Reserved.



ACS380

ACS380

ACS480/
ACH480*

ACS480/
ACH480*

ACS380

ACS380

ACS480/
ACH480*

PT K40x8, 1 pc.
2 N-m (17.7 lbf-in)

1.2 N-m
(10.6 lbf-in)

0.35 N-m
(3.1 lbf-in)

M3x14
1 pc.
0.35 N-m
(3.1 lbf-in)

0.35 N-m
(3.1 lbf-in)

ACS480/
ACH480*

0.35 N-m
(3.1 lbf-in)