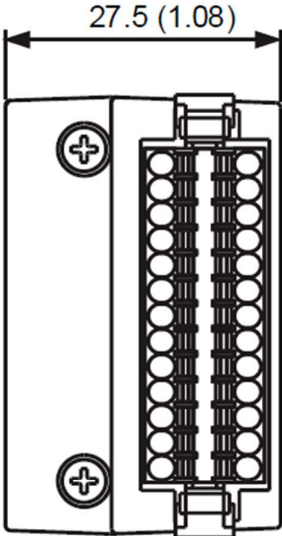
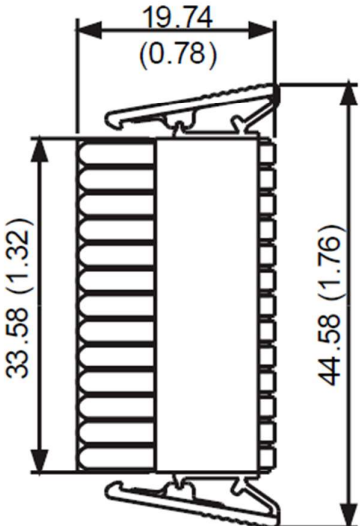
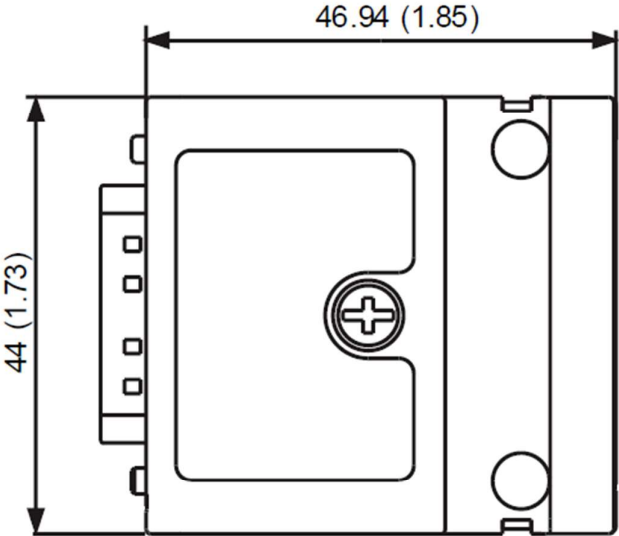
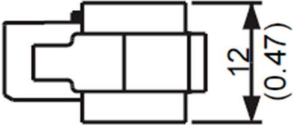
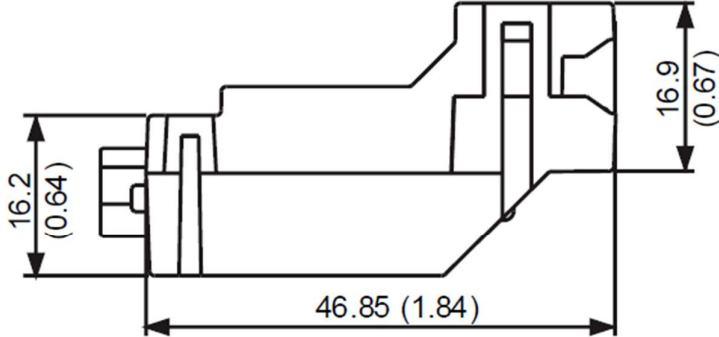


Delta model number: ACS3-IFSC2626 (for -M, -F and -E servo drives)



Unit: mm (inch)