

I/O Module

I/O Card, Relay Card

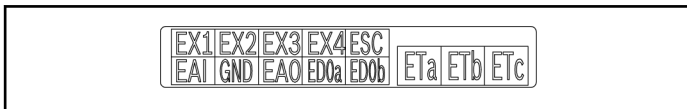
Label, Terminals Descriptions, Wiring

Product Insert

R912006326

Edition 01

I/O Card Terminals Label



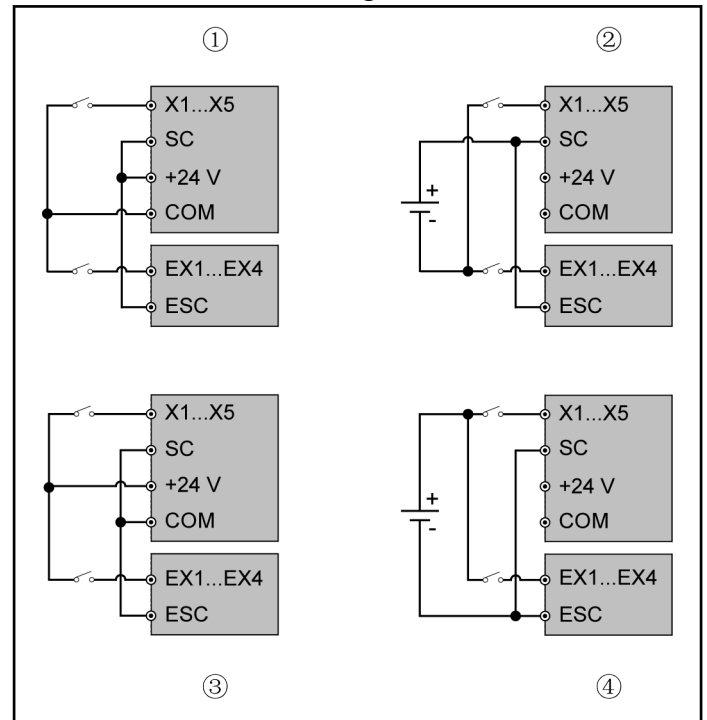
I/O card terminals label

I/O Card Terminals Descriptions

Terminal	Signal requirement	Description
EX1... EX4	Multi-function digital inputs: 24 VDC, 8 mA / 12 VDC, 4 mA with opto-electric couplers	See Group H8
ESC	-	Isolation optocouplers shared connection
EAI	Analog voltage / current inputs Voltage input range: -10...10 V* Input impedance: 40 kΩ Resolution: 1/1,000 Current input range: 0/4...20 mA Input impedance: 499 Ω Resolution: 1/1,000	The power supply is +5 V and +10 V from the fre- quency converter See Group H8
GND	-	Analog terminals shared connection, isolated from ESC
EAO	Voltage output: 0/2...10 V Current output: 0/4...20 mA Output impedance 138 Ω	See Group H8
EDOa, EDOb	Open collector output: Max. 30 VDC, 50 mA	See Group H8 ESC is reference
ETa, ETc	Rated capacity of relay outputs: 250 VAC, 3 A; 30 VDC, 3 A	See Group H8
ETb		ETb is the relay outputs shared connection

* For -10 V input, external power supply must be provided. A frequency converter **ONLY** provides +5 V and +10 V

I/O Card Terminals Wiring



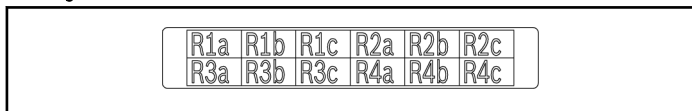
I/O card terminals wiring

- ①: NPN with internal power supply
- ②: NPN with external power supply
- ③: PNP with internal power supply
- ④: PNP with external power supply



- ▶ X1...X5, SC, +24 V, COM are control terminals of the frequency converter, EX1...EX4, ESC are control terminals of the I/O card.
- ▶ Details on wiring of EAI, EAO, EDOa and EDOb, see **Quick Start Guide**.


Relay Card Terminals Label



Relay card terminals label

Relay Card Terminals Descriptions

Terminal	Signal requirement	Description
R1a, R1c, R1b	Rated capacity: 250 VAC, 3 A 30 VDC, 3 A	See Group H9 R1b, R2b, R3b, R4b are relay outputs shared connections
R2a, R2c, R2b		
R3a, R3c, R3b		
R4a, R4c, R4b		

 Details on wiring and noise suppression, see **Quick Start Guide.**

