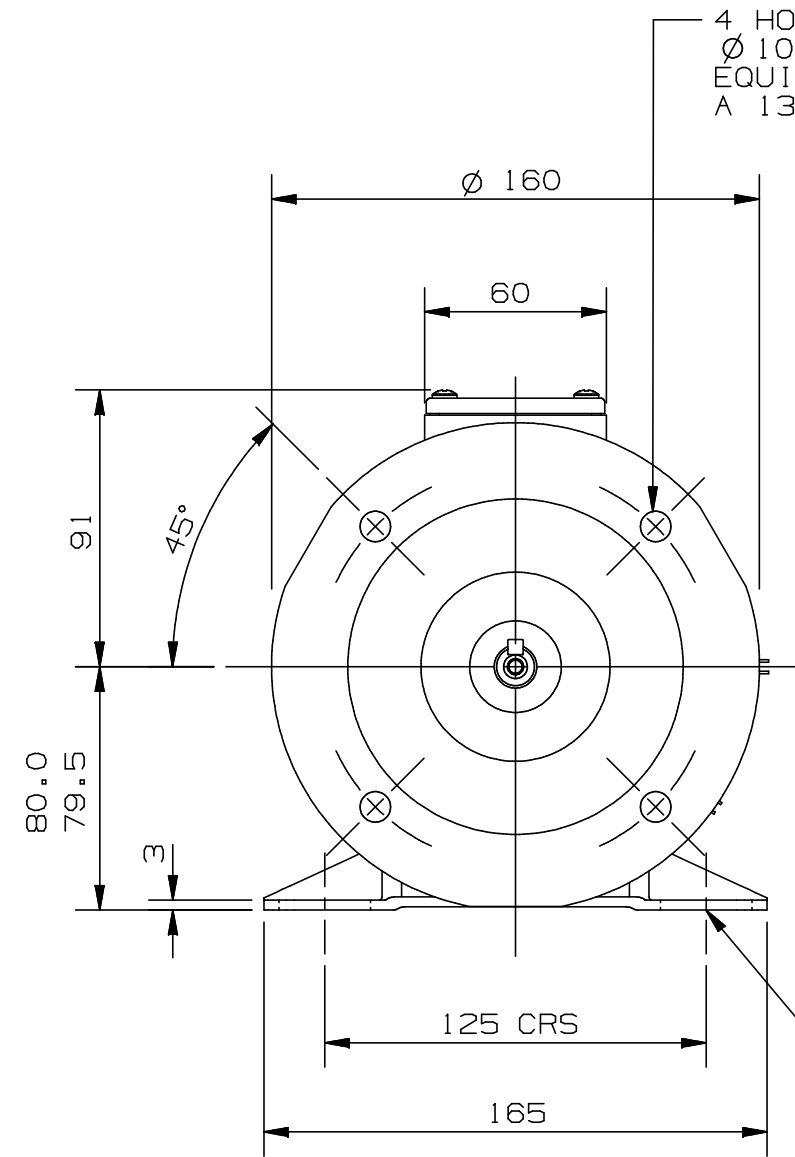


DIMENSIONS IN MILLIMETRES UNLESS OTHERWISE STATED  
DO NOT SCALE FROM DRAWING

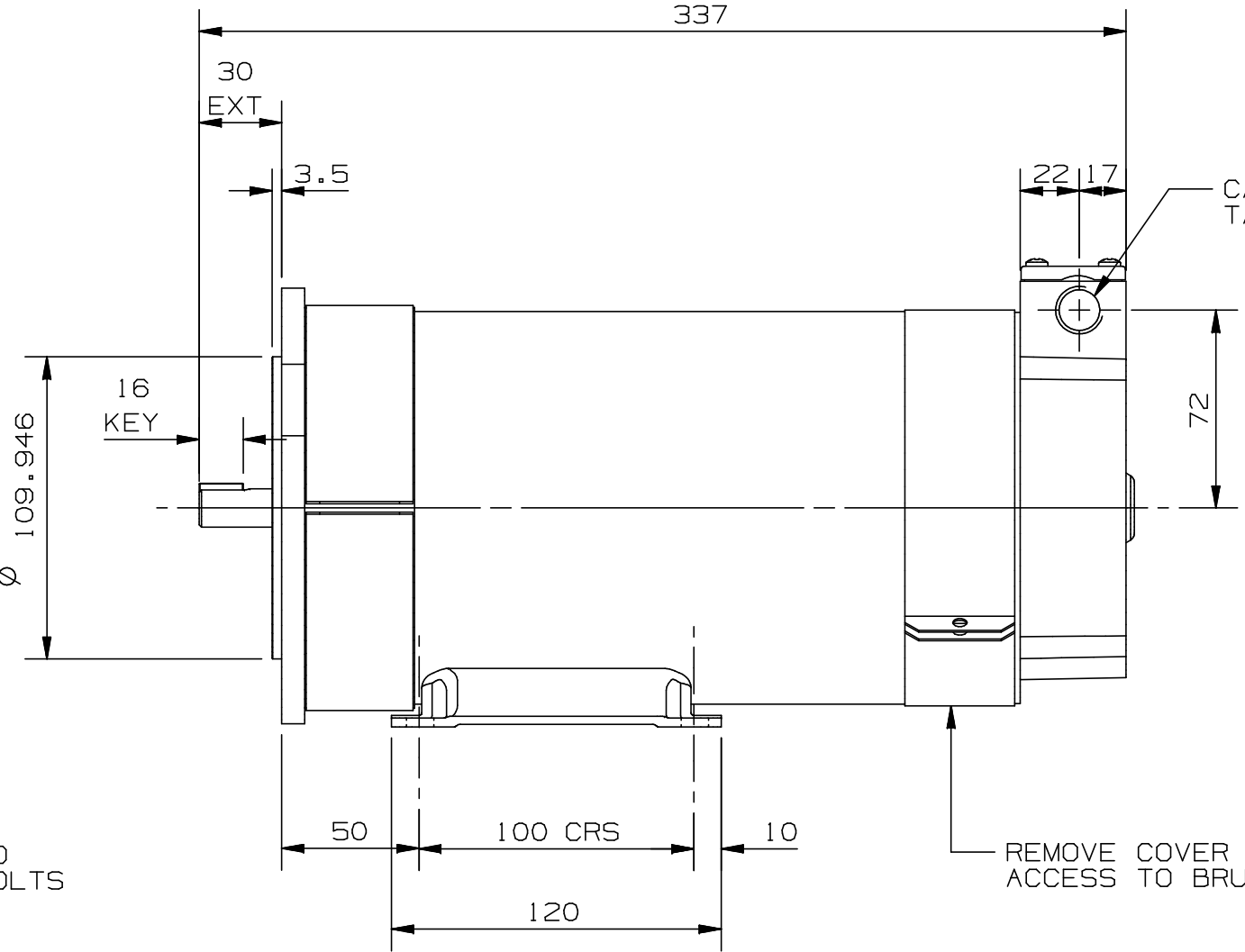
DRG No. **7.5604.9553.01**

CUST No.



4 HOLES DRILL  
Ø 10.0 THRO  
EQUI-SPACED ON  
A 130.0 P.C.DIA

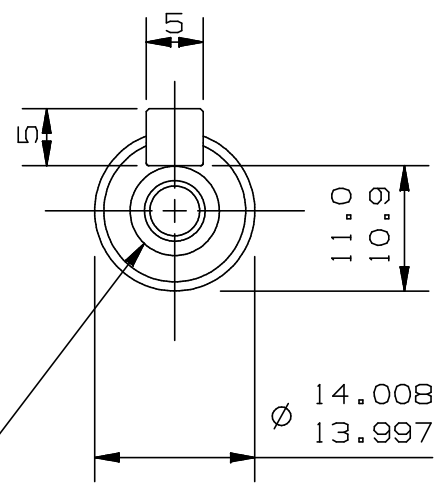
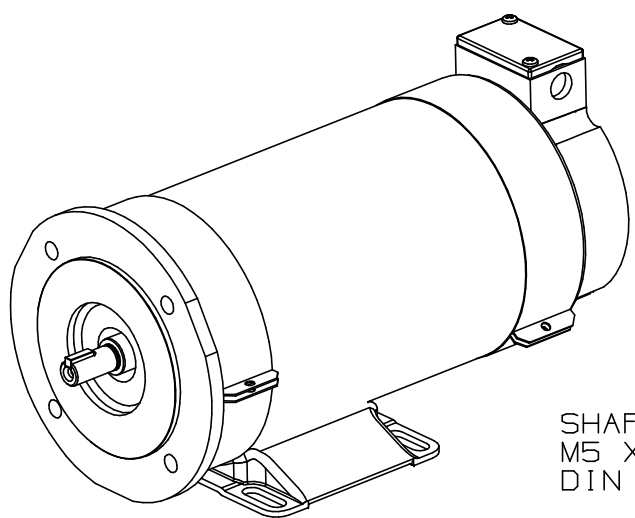
4 SLOTS TO  
SUIT M8 BOLTS



CABLE ENTRY  
TAPPED CM16

REMOVE COVER TO GAIN  
ACCESS TO BRUSHGEAR

COVERS WILL BE FITTED TO SUIT  
COOLING AND ENCLOSURE ON ORDER



SHAFT END TAPPED  
M5 X 12.5 DEEP TO  
DIN 332 FORM 'D'

SHAFT END DETAILS

CUSTOMER		SERIAL No		CUST O/N	
FRAME	MP80 115	K.W.		R.P.M.	
ARM VOLTS		FIELD VOLTS		WINDING	

ISSUED BY D.S.D.O.		<b>ATB SPECIAL PRODUCTS</b> <small>Technology in Motion</small>	TITLE OUTLINE DIMENSIONS OF A PERMANENT MAGNET DC MOTOR		
AT CRADLEY HEATH			FIRST ORDER NUMBER	SCALE NTS	DRG No. <b>7.5604.9553.01</b>
DR'N N.R.TAYLOR DATE 16-01					
DATE		SIMILAR DRAWINGS		SIZE A3 297 x 420	
617.5604.9353.11		CONFIDENTIAL COPYRIGHT © 2015			THIRD ANGLE PROJECTION

MOD	DATE	MODIFICATION	CDN No	MOD	DATE	MODIFICATION	CDN No
1	16-01 2015	RE-DRAWN ON CAD.	15.018				