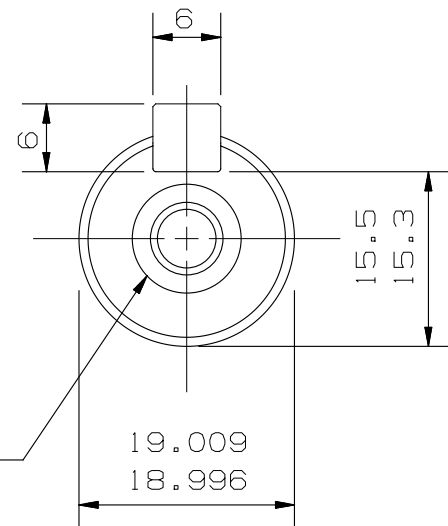
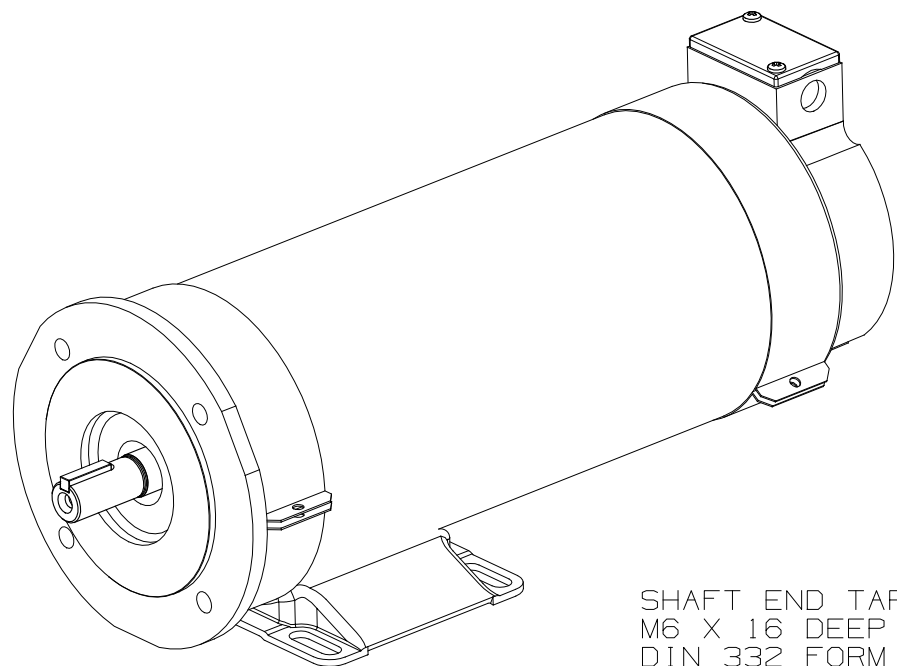
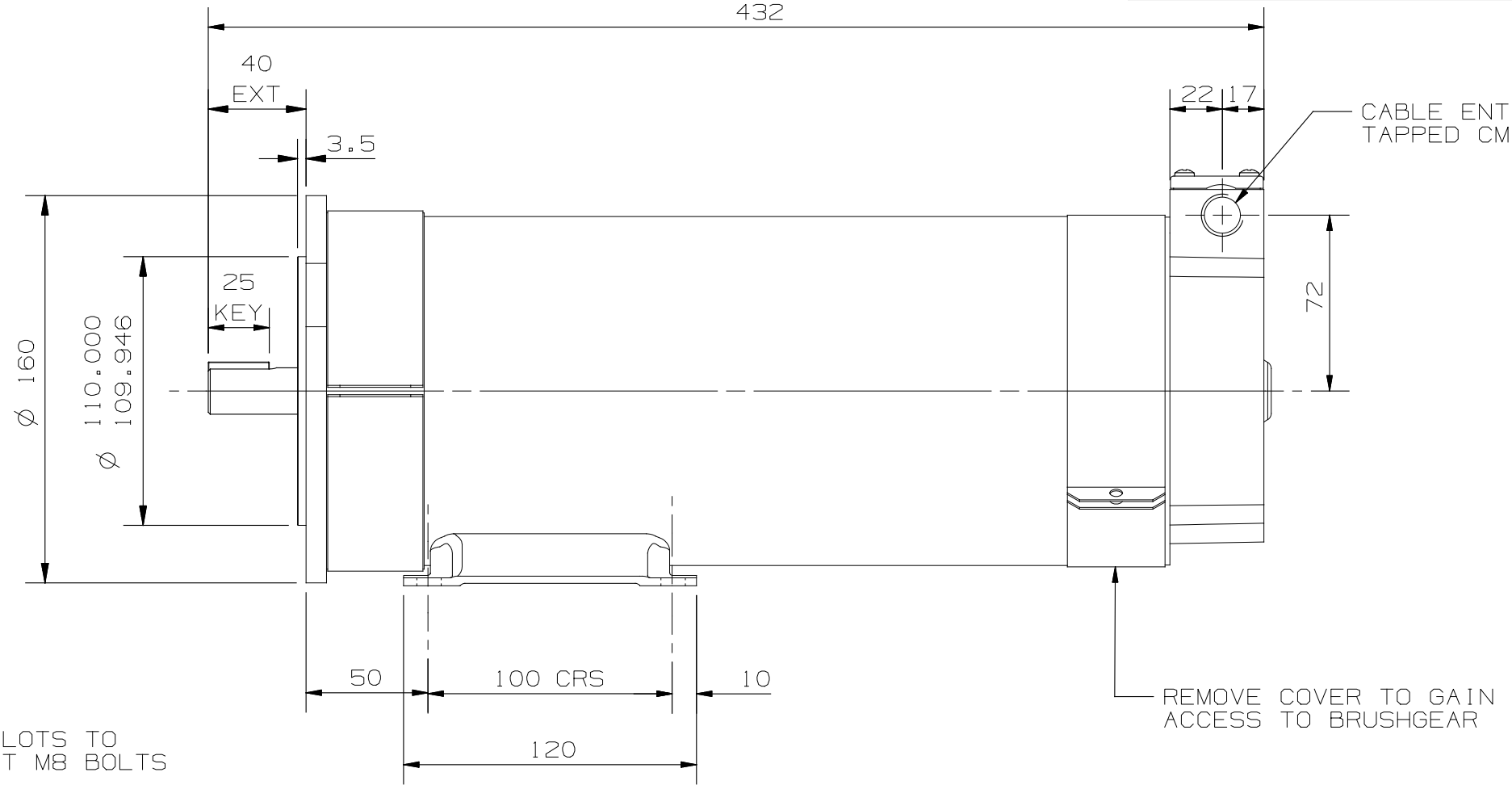
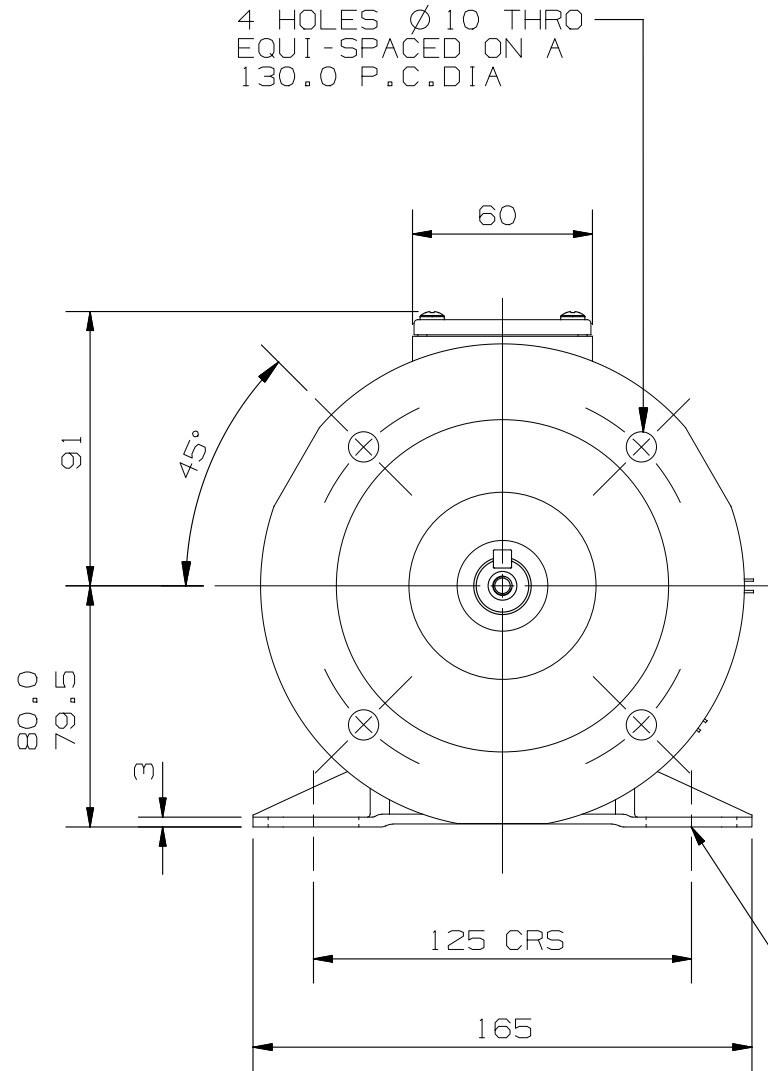


DIMENSIONS IN MILLIMETRES UNLESS OTHERWISE STATED

DO NOT SCALE FROM DRAWING

DRG No. 8.5604.9557.02

BCCS No.



SHAFT END TAPPED M6 X 16 DEEP TO DIN 332 FORM 'D'

SHAFT END DETAILS

COVERS WILL BE FITTED TO SUIT COOLING AND ENCLOSURE ON ORDER

CUSTOMER		SERIAL No		CUST O/N	
FRAME	MP80 200	K.W.		R.P.M.	
ARM VOLTS		FIELD VOLTS		WINDING	

ISSUED BY D.S.D.O.
 AT BLACKHEATH
 DR'N N.R.TAYLOR DATE 05-09
 DATE
 SIMILAR DRAWINGS

BROOK CROMPTON

BLACKHEATH WORKS

OUTLINE DIMENSIONS OF A PERMANENT MAGNET DC MOTOR

MOD	DATE	MODIFICATION	CDN No	MOD	DATE	MODIFICATION	CDN No
1	05-09 2007	RE-DRAWN ON CAD.	Z.228				

CONFIDENTIAL	COPYRIGHT © 2007	FIRST ORDER NUMBER T.111317-01	SCALE NTS	DRG No. 8.5604.9557.02
		SIZE A3 297 x 420	THIRD ANGLE PROJECTION	