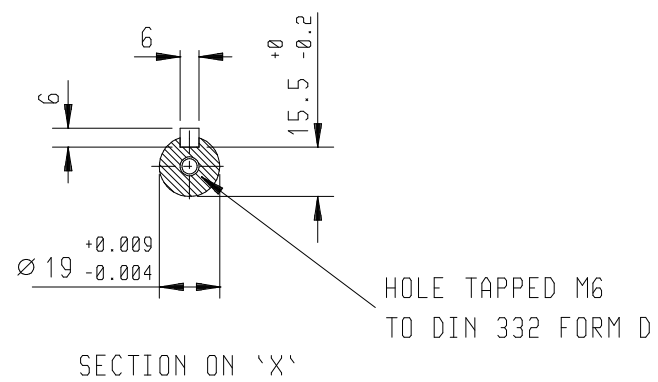
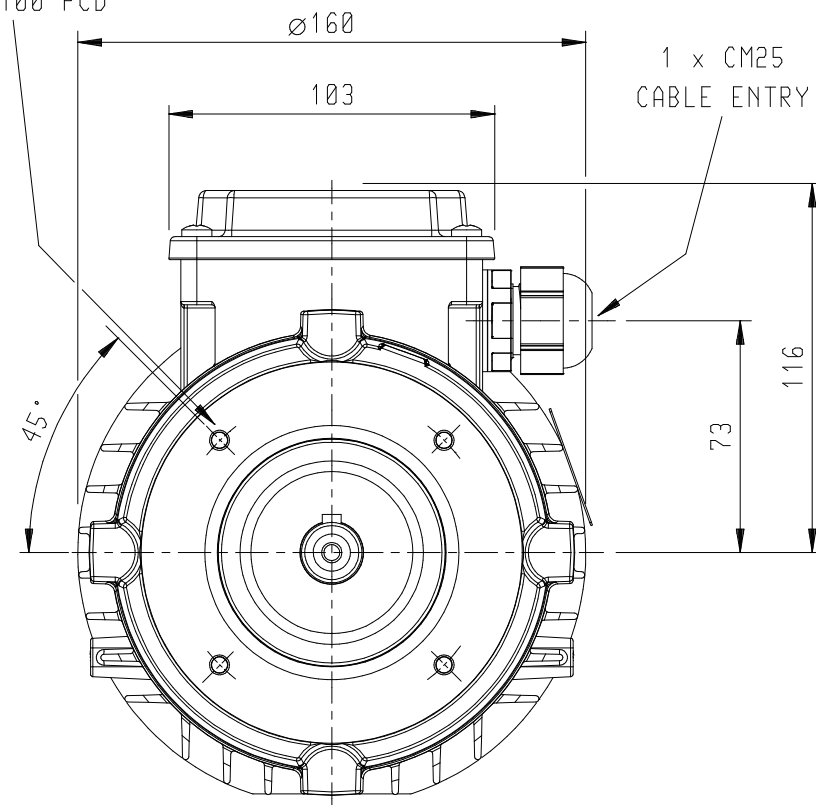


4 HOLES TAPPED M6  
EQUAL. SPACED  
ON A 100 PCD



ALL DIMENSIONS IN MILLIMETRES.

FIRST ANGLE PROJECTION

**BROOK CROMPTON**  
Keeping Industry Turning

Huddersfield, HD1 3LJ. ENGLAND

SHEET SIZE <b>A3</b>	TITLE	OUTLINE DIMENSION DRAWING ALUMINIUM S30 IE3 TOTALLY ENCLOSED FAN COOLED 80M FRAME C FACE MOUNTED MOTOR	NAME	DATE	DRG. No.	J80GC001/0
			DRAWN	DH	14.10.21	
			CHECKED	GES	14.10.21	DRG. REF.
			SCALE	1 : 2.5	REVISION:	DATE