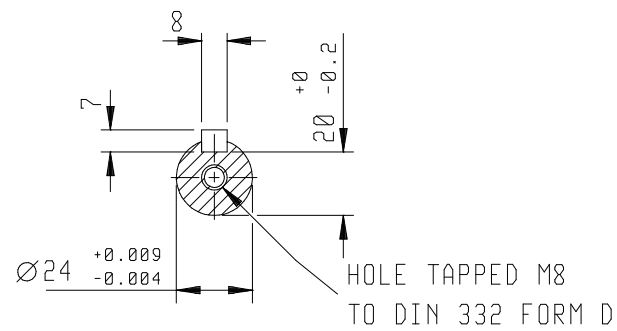


EXTERNAL EARTH POSITION



SECTION ON 'X'

ALL DIMENSIONS IN MILLIMETRES.  
 FIRST ANGLE PROJECTION

**BROOK CROMPTON**  
 Keeping Industry Turning 

Huddersfield, HD1 3LJ. ENGLAND

SHEET SIZE **A3** TITLE OUTLINE DIMENSION DRAWING ALUMINIUM S30 IE3 TOTALLY ENCLOSED FAN COOLED 90L FRAME C FACE MOUNTED MOTOR

	NAME	DATE
DRAWN	DH	28.10.21
CHECKED	GES	28.10.21
SCALE	1 : 2.5	

DRG. No.	J93GC001/0		
DRG. REF.			
REVISION:			