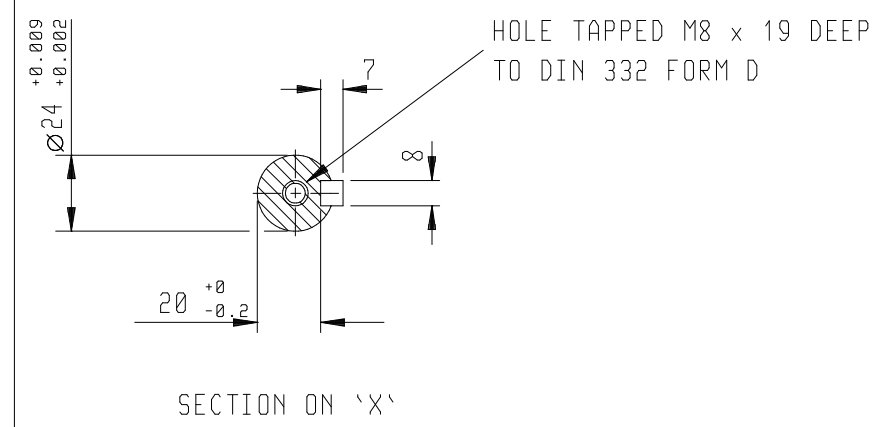
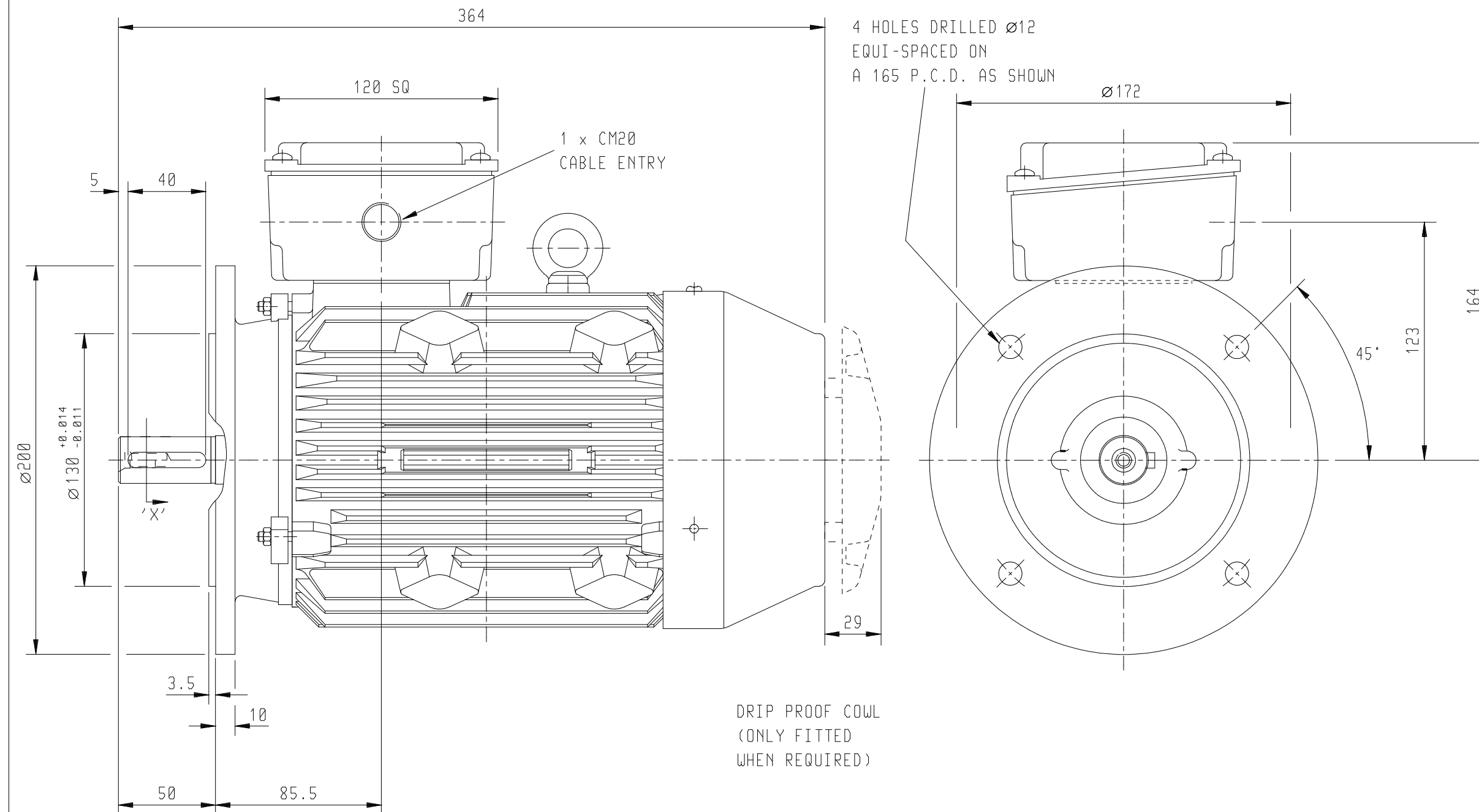


CUSTOMER		
ORDER No.		
PART No.		
OUR ORDER No.		
FRAME SIZE		
KW.	RPM.	
Hz	PHASE	
VOLTS	POLES	
BRGS.	DE.	NDE.
MOTOR NETT WT.		Kg.
SPECIAL REMARKS		



DRIP PROOF COWL
 (ONLY FITTED
 WHEN REQUIRED)

CONDUIT ENTRIES:- TERMINAL BOX CAN BE ROTATED AT 90° INTERVALS
 (CONDUIT ENTRY POSITION SHOWN FOR ILLUSTRATION ONLY).

ALL DIMENSIONS IN MILLIMETRES.



BROOK CROMPTON

Huddersfield, HD1 3LJ
 ENGLAND

SHEET SIZE A3	TITLE	NAME	DATE
	OUTLINE DIMENSION DRAWING 'WP' CAST-IRON TOTALLY ENCLOSED FAN COOLED 90L FRAME D FLANGE MOUNTED MOTOR (2 & 4 POLE)	DRAWN	DH 08/03/06
		CHECKED	DJR 08/03/06
		SCALE	1:2.5

DRG. No.	Q93GD002/0
DRG. REF.	
REVISION:	DATE