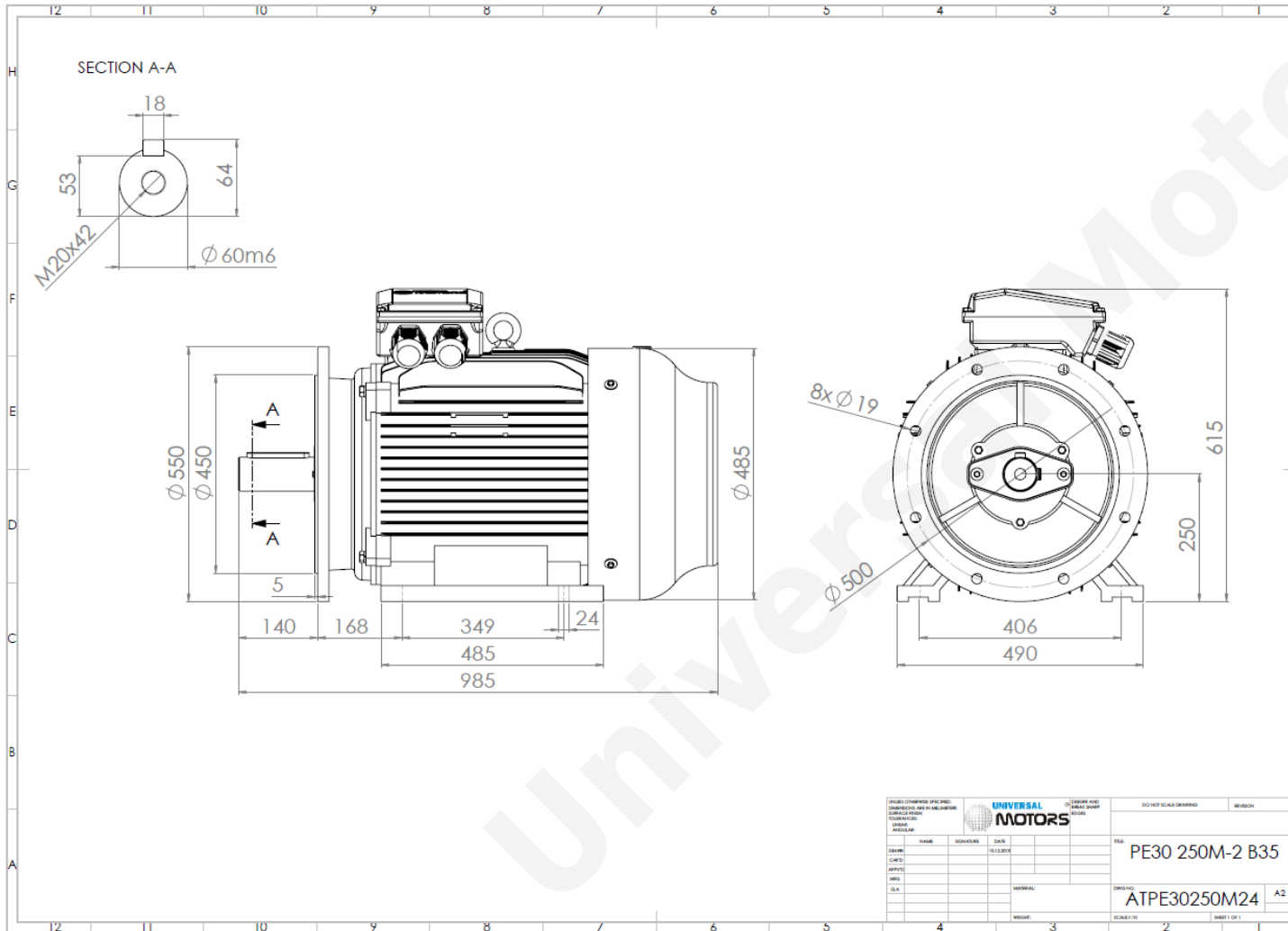


TECHNICAL DATA

Three Phase Electric Motors - Cast Iron Frame
UM3C 250M-2 IE3
55 kW / 75 Cv
2980 RPM



Motor type:	UM3C 250M-2 IE3
Output:	55 kW / 75 Cv
Speed (min ⁻¹):	2980 RPM
Voltage:	400 V
Frequency:	50 Hz
Current:	93.5 A
Power factor (Cos Ø):	0.90
Poles:	2
Insulation class:	F
Temperature rise Class:	B
Efficiency 50%:	92.9 %
Efficiency 75%:	94.5 %
Efficiency 100%:	94.3 %
Torque:	176 N.m
Tstarting/Tnominal:	2.0
Istarting/Inominal:	7.7
Tmaximum/Tnominal:	2.3
Noise:	89 Db(A)
Weight:	432 Kg
Bearing DE:	6314 C3
Bearing NDE:	6314 C3

UNIVERSAL MOTORS		GROUP AND TRADE MARK	DO NOT SCALE DRAWING	REVISION
DESIGNER	DRAWN	DATE	REV	
CHECKED				
APPROVED				
DATE				
SCALE				
MATERIAL			DRWG NO.	SHEET 1 OF 1
			ATPE30250M24	A2

Regime - S1

Altitude - 1000m

Environment Temperature - 40°C

CONTACTS:

Universal Motors UK, Ltd
Unit E2, Meltham Mills Industrial Estate, Meltham Mills Road, Meltham, Holmfirth
West Yorkshire HD9 4AR, U.K

Tel: +44(0) 1484 660 222

Fax: +44(0) 1484 660 333

Mail: enquiries@universalmotors-group.co.uk

* References applied only in the UK