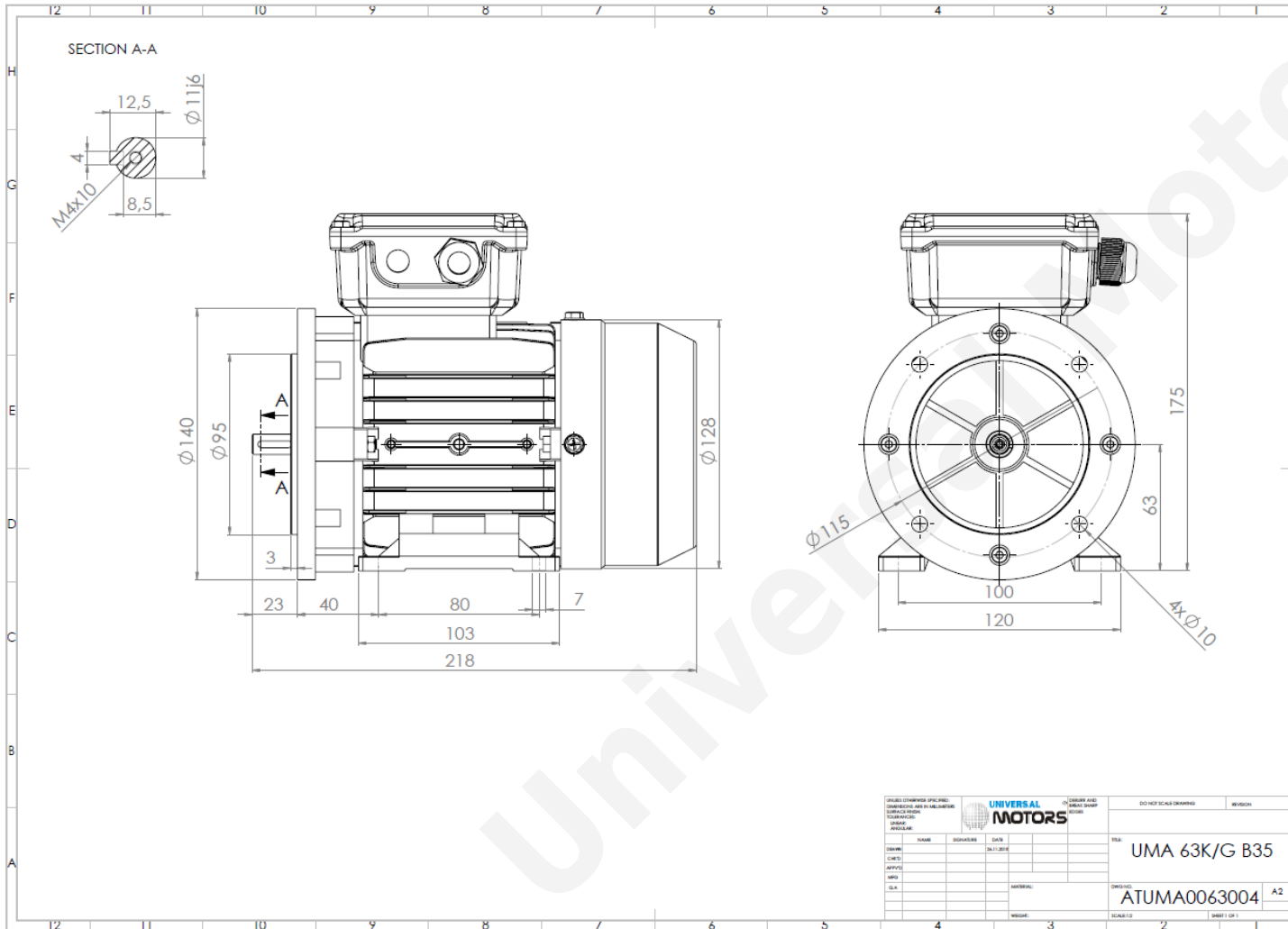


TECHNICAL DATA

Three Phase Electric Motors - Aluminum Frame
 UMHA 63G-2 IE2
 0.25 kW / 0.33 Cv
 2750 RPM



Motor type:	UMHA 63G-2 IE2
Output:	0.25 kW / 0.33 Cv
Speed (min ⁻¹):	2750 RPM
Voltage:	400 V
Frequency:	50 Hz
Current:	0.6 A
Power factor (Cos Ø):	0.69
Poles:	2
Insulation class:	F
Temperature rise Class:	B
Efficiency 50%:	49.5 %
Efficiency 75%:	57.6 %
Efficiency 100%:	60.4 %
Torque:	0.63 N.m
Tstarting/Tnominal:	2.3
Istarting/Inominal:	4.0
Tmaximum/Tnominal:	2.3
Noise:	66 Db(A)
Weight:	3.7 Kg
Bearing DE:	6201 2Z C3
Bearing NDE:	6201 2Z C3

Regime - S1

Altitude - 1000m

Environment Temperature - 40°C

CONTACTS:

Universal Motors UK, Ltd
 Unit E2, Meltham Mills Industrial Estate, Meltham Mills Road, Meltham,
 Holmfirth
 West Yorkshire HD9 4AR, U.K

Tel: +44(0) 1484 660 222
 Fax: +44(0) 1484 660 333
 Mail: enquiries@universalmotors-group.co.uk

* References applied only in the UK