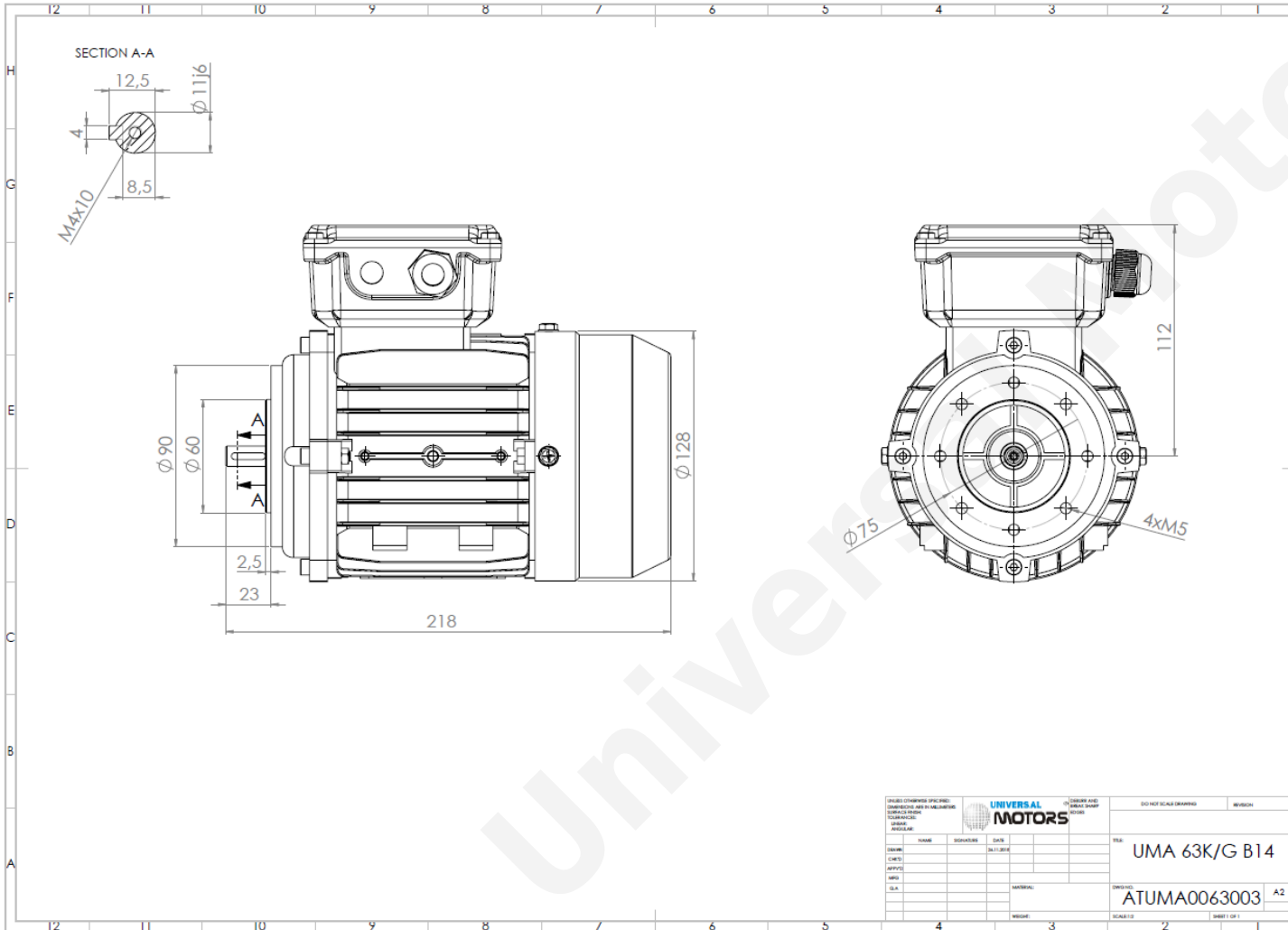


# TECHNICAL DATA

Three Phase Electric Motors - Aluminum Frame  
UMHA 63G-4  
0.18 kW / 0.25 Cv  
1380 RPM



Motor type:	<b>UMHA 63G-4</b>
Output:	<b>0.18 kW / 0.25 Cv</b>
Speed (min <sup>-1</sup> ):	<b>1380 RPM</b>
Voltage:	<b>400 V</b>
Frequency:	<b>50 Hz</b>
Current:	<b>0.6 A</b>
Power factor (Cos Ø):	<b>0.62</b>
Poles:	<b>4</b>
Insulation class:	<b>F</b>
Temperature rise Class:	<b>B</b>
Efficiency 50%:	<b>55.6 %</b>
Efficiency 75%:	<b>62.4 %</b>
Efficiency 100%:	<b>64.7 %</b>
Torque:	<b>1.25 N.m</b>
Tstarting/Tnominal:	<b>2.4</b>
Istarting/Inominal:	<b>4.0</b>
Tmaximum/Tnominal:	<b>2.4</b>
Noise:	<b>64 Db(A)</b>
Weight:	<b>4.4 Kg</b>
Bearing DE:	<b>6201 2Z C3</b>
Bearing NDE:	<b>6201 2Z C3</b>

Regime - S1

Altitude - 1000m

Environment Temperature - 40°C

## CONTACTS:

Universal Motors UK, Ltd  
Unit E2, Meltham Mills Industrial Estate, Meltham Mills Road, Meltham, Holmfirth  
West Yorkshire HD9 4AR, U.K

Tel: +44(0) 1484 660 222

Fax: +44(0) 1484 660 333

Mail: [enquiries@universalmotors-group.co.uk](mailto:enquiries@universalmotors-group.co.uk)

\* References applied only in the UK