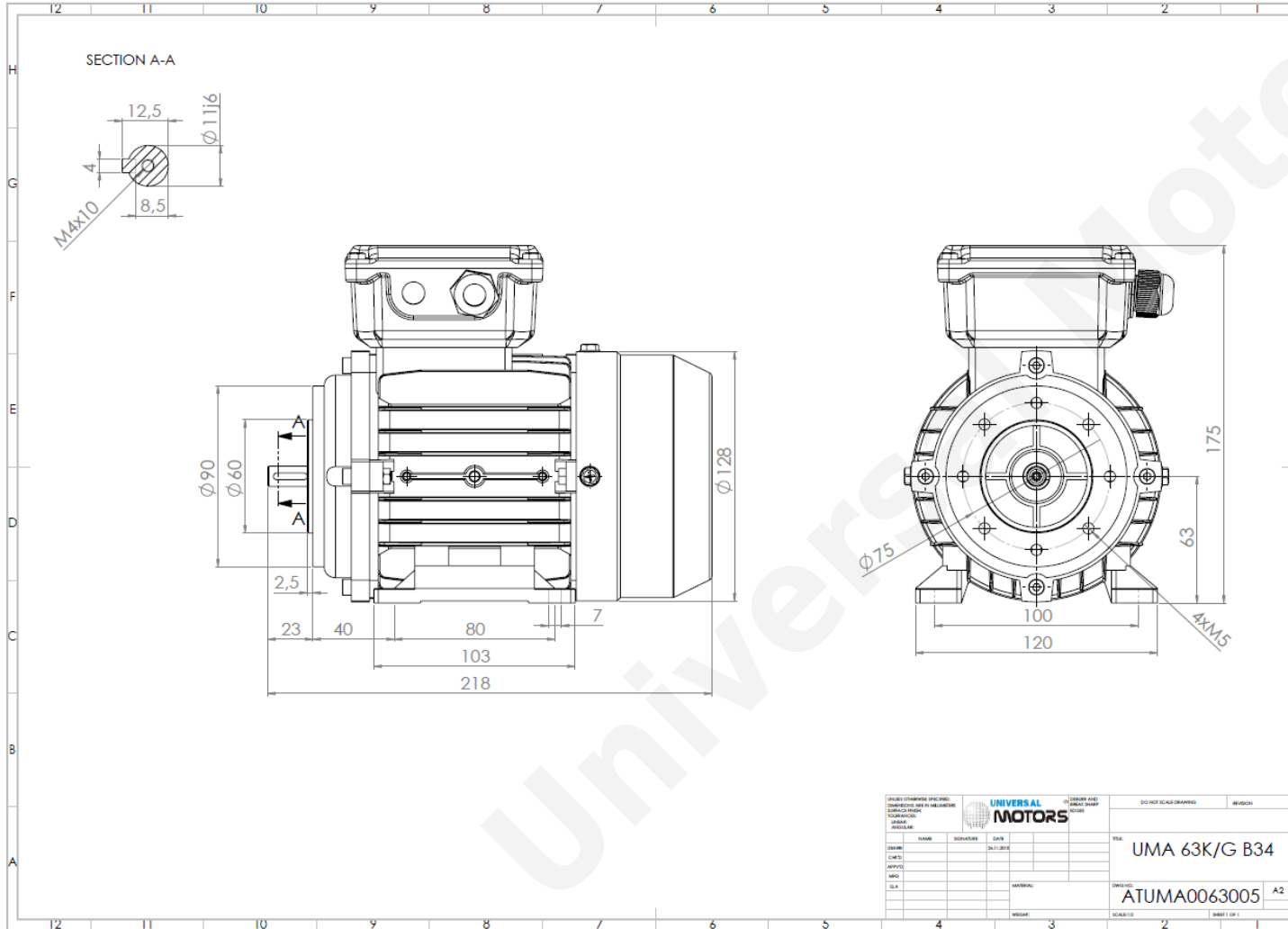


TECHNICAL DATA

Three Phase Electric Motors - Aluminum Frame
 UMHA 63G-4
 0.18 kW / 0.25 Cv
 1380 RPM



Motor type:	UMHA 63G-4
Output:	0.18 kW / 0.25 Cv
Speed (min ⁻¹):	1380 RPM
Voltage:	400 V
Frequency:	50 Hz
Current:	0.6 A
Power factor (Cos ϕ):	0.62
Poles:	4
Insulation class:	F
Temperature rise Class:	B
Efficiency 50%:	55.6 %
Efficiency 75%:	62.4 %
Efficiency 100%:	64.7 %
Torque:	1.25 N.m
Tstarting/Tnominal:	2.4
Istarting/Inominal:	4.0
Tmaximum/Tnominal:	2.4
Noise:	64 Db(A)
Weight:	4.4 Kg
Bearing DE:	6201 2Z C3
Bearing NDE:	6201 2Z C3

Regime - S1

Altitude - 1000m

Environment Temperature - 40°C

CONTACTS:

Universal Motors UK, Ltd
 Unit E2, Meltham Mills Industrial Estate, Meltham Mills Road, Meltham, Holmfirth
 West Yorkshire HD9 4AR, U.K

Tel: +44(0) 1484 660 222
 Fax: +44(0) 1484 660 333

Mail: enquiries@universalmotors-group.co.uk

* References applied only in the UK