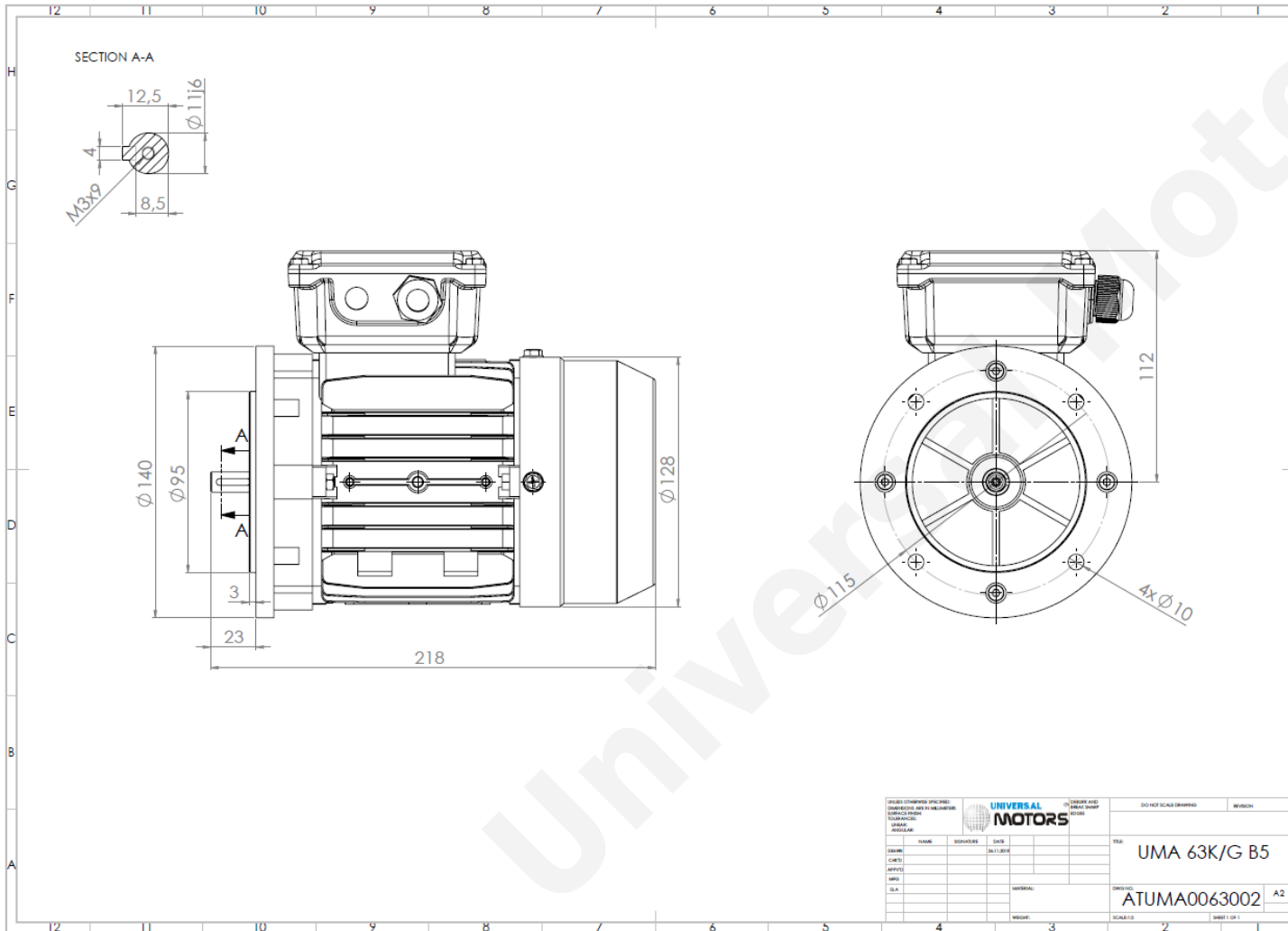


TECHNICAL DATA

Three Phase Electric Motors - Aluminum Frame
UMHA 63G-4
0.18 kW / 0.25 Cv
1380 RPM



| | |
|-----------------------------|--------------------------|
| Motor type: | UMHA 63G-4 |
| Output: | 0.18 kW / 0.25 Cv |
| Speed (min ⁻¹): | 1380 RPM |
| Voltage: | 400 V |
| Frequency: | 50 Hz |
| Current: | 0.6 A |
| Power factor (Cos Ø): | 0.62 |
| Poles: | 4 |
| Insulation class: | F |
| Temperature rise Class: | B |
| Efficiency 50%: | 55.6 % |
| Efficiency 75%: | 62.4 % |
| Efficiency 100%: | 64.7 % |
| Torque: | 1.25 N.m |
| Tstarting/Tnominal: | 2.4 |
| Istarting/Inominal: | 4.0 |
| Tmaximum/Tnominal: | 2.4 |
| Noise: | 64 Db(A) |
| Weight: | 4.4 Kg |
| Bearing DE: | 6201 2Z C3 |
| Bearing NDE: | 6201 2Z C3 |

| | | | |
|------------------|------------|------------------|----------|
| UNIVERSAL MOTORS | | UNIVERSAL MOTORS | |
| DESIGNER | DATE | SCALE | REVISION |
| CHECKED | 2011.02.04 | UMA 63K/G B5 | |
| APPROVED | | ATUMA0063002 | A2 |
| MATERIAL | | | |
| WEIGHT | | | |

Regime - S1

Altitude - 1000m

Environment Temperature - 40°C

CONTACTS:

Universal Motors UK, Ltd
Unit E2, Meltham Mills Industrial Estate, Meltham Mills Road, Meltham, Holmfirth
West Yorkshire HD9 4AR, U.K

Tel: +44(0) 1484 660 222

Fax: +44(0) 1484 660 333

Mail: enquiries@universalmotors-group.co.uk

* References applied only in the UK