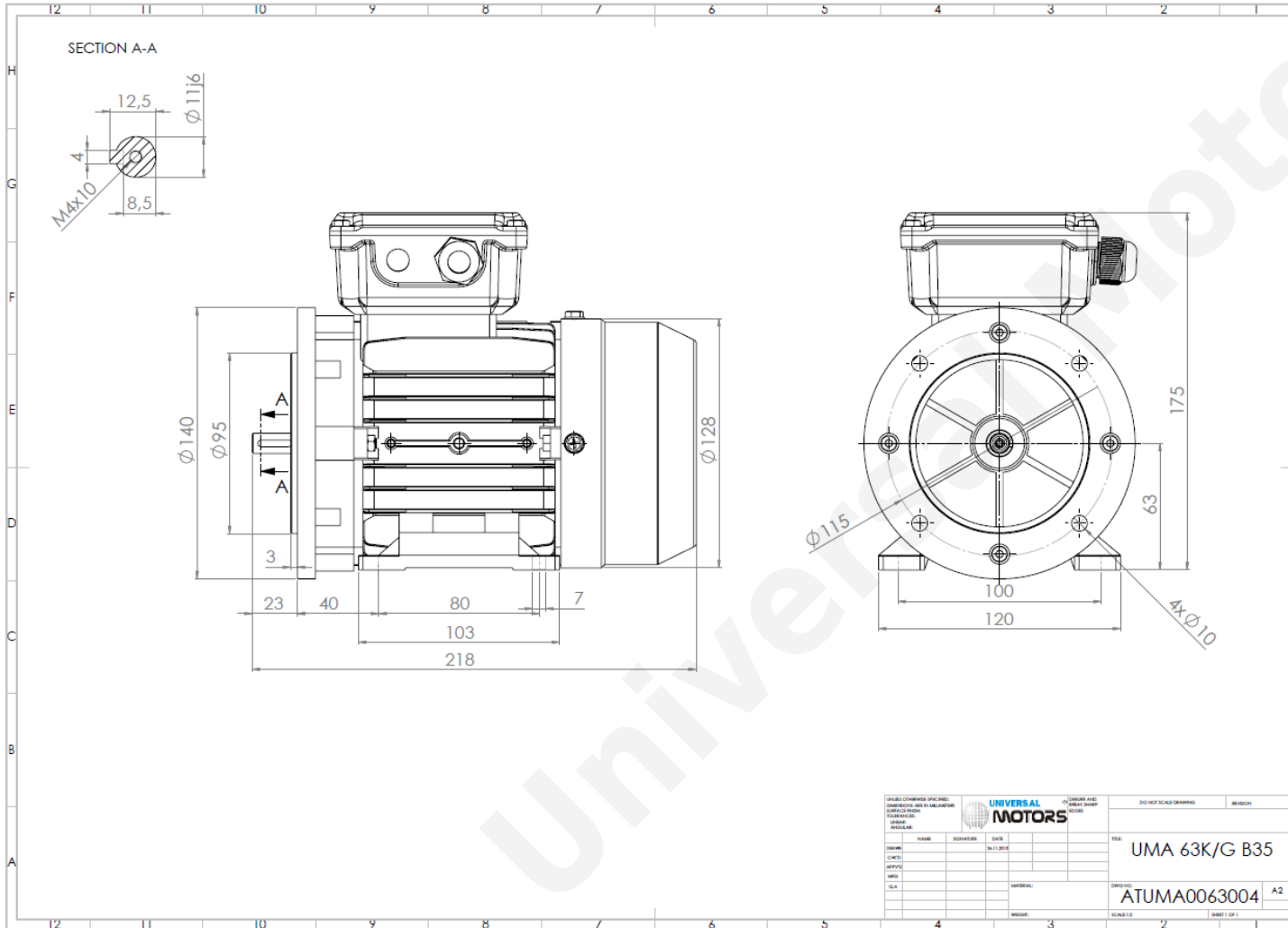


TECHNICAL DATA

Three Phase Electric Motors - Aluminum Frame
 UMHA 63K-4
 0.12 kW / 0.16 Cv
 1380 RPM



Motor type:	UMHA 63K-4
Output:	0.12 kW / 0.16 Cv
Speed (min ⁻¹):	1380 RPM
Voltage:	400 V
Frequency:	50 Hz
Current:	0.5 A
Power factor (Cos ϕ):	0.54
Poles:	4
Insulation class:	F
Temperature rise Class:	B
Efficiency 50%:	45.0 %
Efficiency 75%:	54.1 %
Efficiency 100%:	59.1 %
Torque:	0.83 N.m
Tstarting/Tnominal:	C
Istarting/Inominal:	3.5
Tmaximum/Tnominal:	2.4
Noise:	64 Db(A)
Weight:	3.8 Kg
Bearing DE:	6201 2Z C3
Bearing NDE:	6201 2Z C3

Regime - S1

Altitude - 1000m

Environment Temperature - 40°C

CONTACTS:

Universal Motors UK, Ltd
 Unit E2, Meltham Mills Industrial Estate, Meltham Mills Road, Meltham,
 Holmfirth
 West Yorkshire HD9 4AR, U.K

Tel: +44(0) 1484 660 222
 Fax: +44(0) 1484 660 333
 Mail: enquiries@universalmotors-group.co.uk

* References applied only in the UK