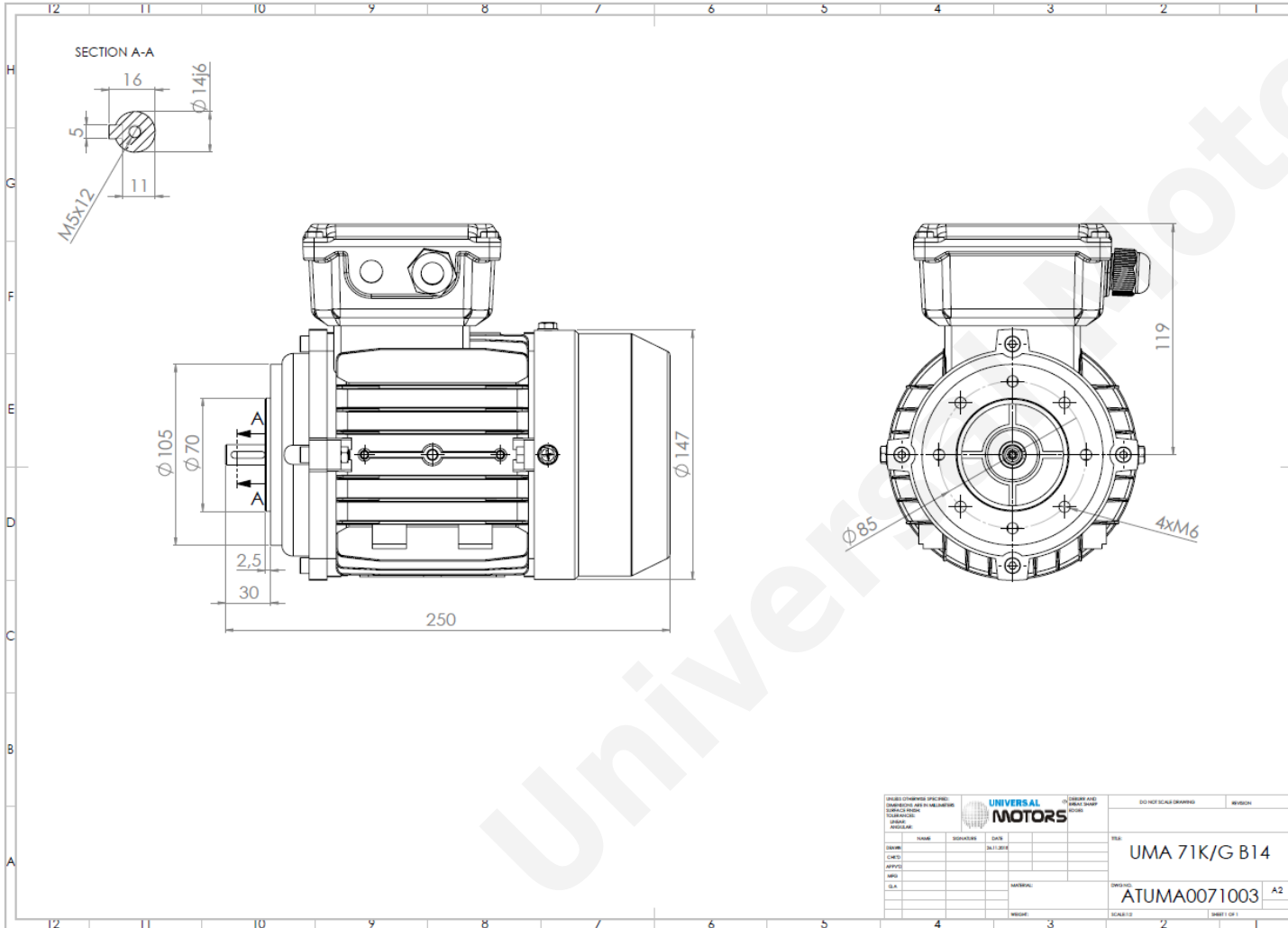


TECHNICAL DATA

Three Phase Electric Motors - Aluminum Frame
UMHA 71K-2 IE2
0.37 kW / 0.5 Cv
2750 RPM



Motor type:	UMHA 71K-2 IE2
Output:	0.37 kW / 0.5 Cv
Speed (min^{-1}):	2750 RPM
Voltage:	400 V
Frequency:	50 Hz
Current:	0.9 A
Power factor ($\text{Cos } \varnothing$):	0.79
Poles:	2
Insulation class:	F
Temperature rise Class:	B
Efficiency 50%:	63.9 %
Efficiency 75%:	68.5 %
Efficiency 100%:	69.5 %
Torque:	1.28 N.m
Tstarting/Tnominal:	2.3
Istarting/Inominal:	5.5
Tmaximum/Tnominal:	2.3
Noise:	70 Db(A)
Weight:	5.1 Kg
Bearing DE:	6202 2Z C3
Bearing NDE:	6202 2Z C3

UNIVERSAL MOTORS		DO NOT SCALE DRAWING		REVISION
DATE	NAME	DESIGNER	DATE	REV
DRAWING NO: ATUMA0071003			A2	
MATERIAL:			SCALE: 1:1	
WEIGHT:			SHEET 1 OF 1	

Regime - S1

Altitude - 1000m

Environment Temperature - 40°C

CONTACTS:

Universal Motors UK, Ltd
Unit E2, Meltham Mills Industrial Estate, Meltham Mills Road, Meltham, Holmfirth
West Yorkshire HD9 4AR, U.K

Tel: +44(0) 1484 660 222

Fax: +44(0) 1484 660 333

Mail: enquiries@universalmotors-group.co.uk

* References applied only in the UK