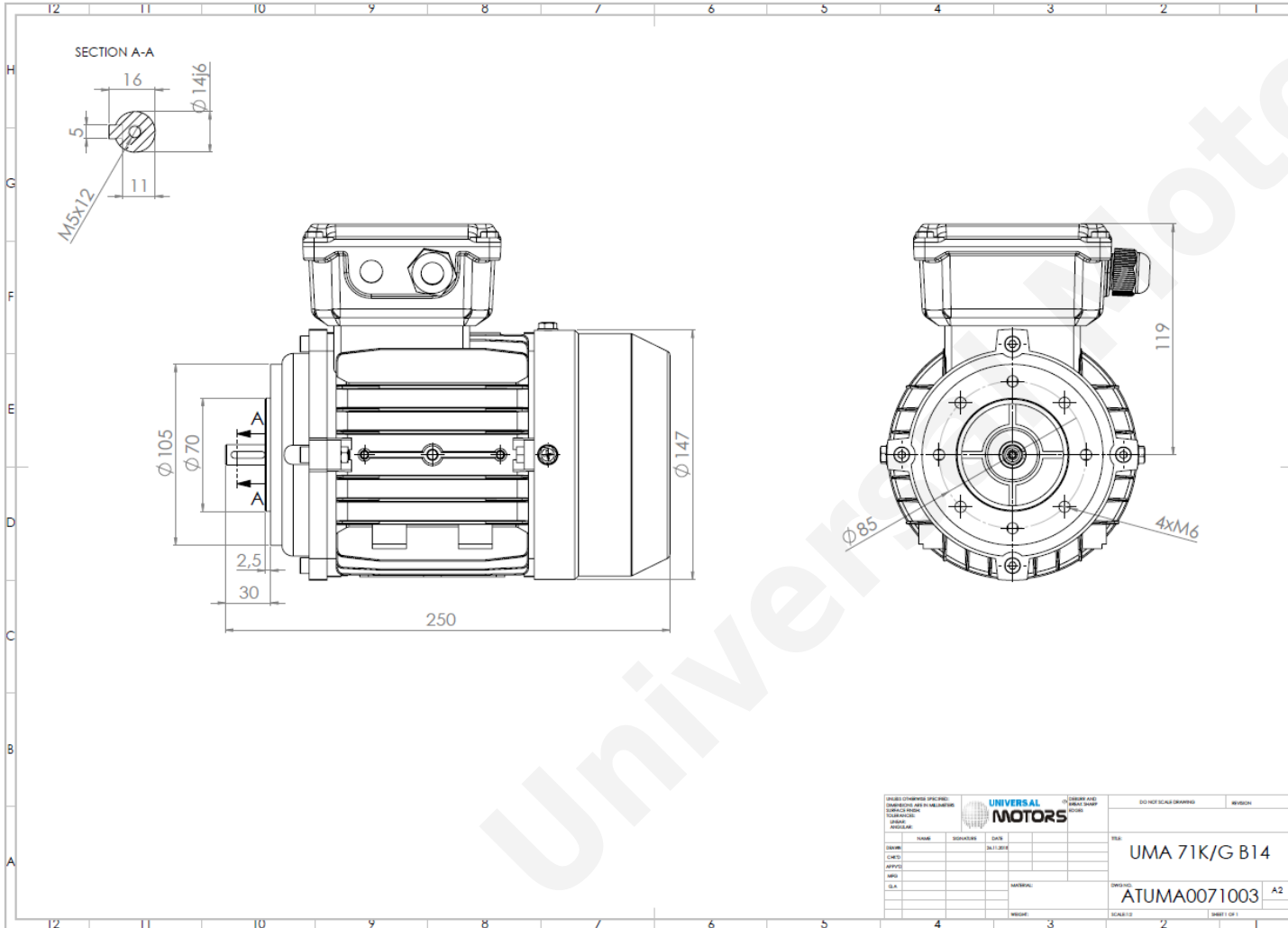


TECHNICAL DATA

Three Phase Electric Motors - Aluminum Frame
 UMHA 71K-4
 0.25 kW / 0.33 Cv
 1400 RPM



Motor type:	UMHA 71K-4
Output:	0.25 kW / 0.33 Cv
Speed (min^{-1}):	1400 RPM
Voltage:	400 V
Frequency:	50 Hz
Current:	0.8 A
Power factor ($\text{Cos } \phi$):	0.70
Poles:	4
Insulation class:	F
Temperature rise Class:	B
Efficiency 50%:	60.8 %
Efficiency 75%:	67.0 %
Efficiency 100%:	68.5 %
Torque:	1.71 N.m
Tstarting/Tnominal:	2.4
Istarting/Inominal:	4.5
Tmaximum/Tnominal:	2.4
Noise:	64 Db(A)
Weight:	5.4 Kg
Bearing DE:	6202 2Z C3
Bearing NDE:	6202 2Z C3

UNIVERSAL MOTORS		DO NOT SCALE DRAWING		REVISION
DATE	NAME	DESIGNER	DATE	REV
DRAWN BY			REF: UMA 71K/G B14	
CHECKED BY			DRAWING NO: ATUMA0071003 A2	
APPROVED BY			SCALE: 1:1	
MATERIAL			SHEET 1 OF 1	
WEIGHT				

Regime - S1

Altitude - 1000m

Environment Temperature - 40°C

CONTACTS:

Universal Motors UK, Ltd
 Unit E2, Meltham Mills Industrial Estate, Meltham Mills Road, Meltham, Holmfirth
 West Yorkshire HD9 4AR, U.K

Tel: +44(0) 1484 660 222

Fax: +44(0) 1484 660 333

Mail: enquiries@universalmotors-group.co.uk

* References applied only in the UK