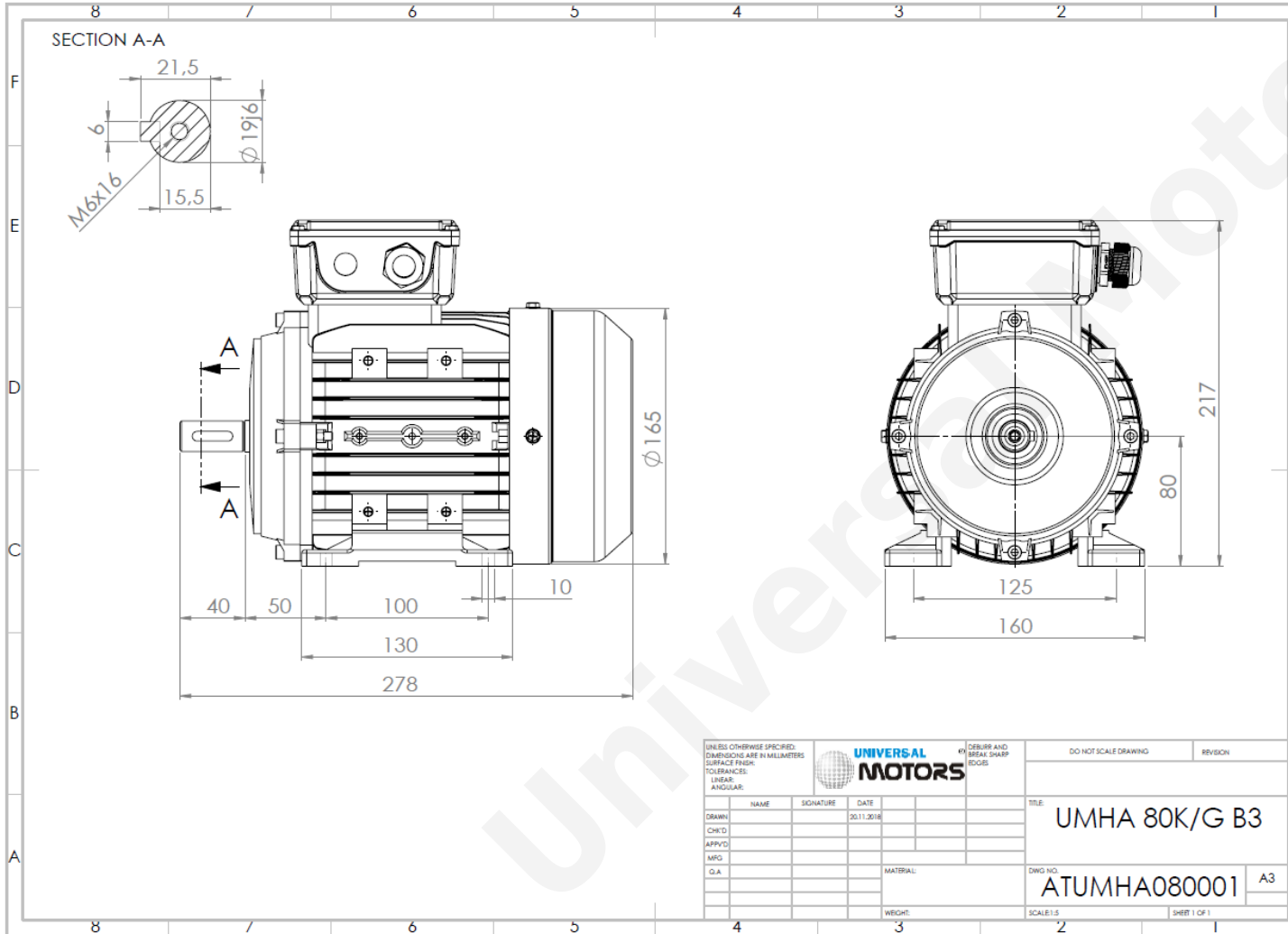


TECHNICAL DATA

Three Phase Electric Motors - Aluminum Frame
UMHA 80K-4
 0.55 kW / 0.75 Cv
 1420 RPM



| | |
|-----------------------------|--------------------------|
| Motor type: | UMHA 80K-4 |
| Output: | 0.55 kW / 0.75 Cv |
| Speed (min ⁻¹): | 1420 RPM |
| Voltage: | 400 V |
| Frequency: | 50 Hz |
| Current: | 1.4 A |
| Power factor (Cos Ø): | 0.75 |
| Poles: | 4 |
| Insulation class: | F |
| Temperature rise Class: | B |
| Efficiency 50%: | 79.8 % |
| Efficiency 75%: | 78.9 % |
| Efficiency 100%: | 77.1 % |
| Torque: | 3.7 N.m |
| Tstarting/Tnominal: | 2.4 |
| Istarting/Inominal: | 5.1 |
| Tmaximum/Tnominal: | 2.4 |
| Noise: | 66 Db(A) |
| Weight: | 9.5 Kg |
| Bearing DE: | 6204 2Z C3 |
| Bearing NDE: | 6204 2Z C3 |

Regime - S1

Altitude - 1000m

Environment Temperature - 40°C

CONTACTS:

Universal Motors UK, Ltd
 Unit E2, Meltham Mills Industrial Estate, Meltham Mills Road, Meltham, Holmfirth
 West Yorkshire HD9 4AR, U.K

Tel: +44(0) 1484 660 222

Fax: +44(0) 1484 660 333

Mail: enquiries@universalmotors-group.co.uk

* References applied only in the UK