



# DELTA

## ACS3-IFSC2626

CN1 quick connector for  
ASDA-B3/E3 series  
servo drive

### Instruction Sheet

#### (1) General precautions

Thank you for purchasing this product. This instruction sheet provides information about the CN1 quick connector for ASDA-B3<sup>□</sup>-M, ASDA-B3<sup>□</sup>-E, ASDA-B3<sup>□</sup>-F, ASDA-E3-E, and ASDA-E3-F series servo drives. Before using this product, read the instruction sheet to ensure the correct use of the product. Keep this sheet handy for quick reference whenever needed. The instruction sheet may be revised without prior notice. Contact our distributors or download the latest version from Delta's website. Note: in the servo drive model column, <sup>□</sup> represents the product series.

#### (2) Overview

The CN1 quick connector (ACS3-IFSC2626) is designed for easy wiring, which can be applied to the ASDA-B3<sup>□</sup>-M, ASDA-B3<sup>□</sup>-E, ASDA-B3<sup>□</sup>-F, ASDA-E3-E, and ASDA-E3-F series servo drives. It is a good choice if you do not want to solder the wires. Its spring-loaded terminals prevent the wires from loosening due to vibration. The pin assignment of this connector is identical to that of the CN1 connector on the ASDA-B3<sup>□</sup>-M, ASDA-B3<sup>□</sup>-E, ASDA-B3<sup>□</sup>-F, ASDA-E3-E, and ASDA-E3-F series servo drives, as shown in (3). Refer to the ASDA-B3/E3 User Manual for wiring.

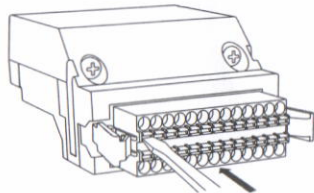
Note: in the servo drive model column, <sup>□</sup> represents the product series.

#### (3) Pin assignment

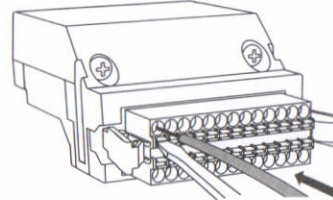
PULSE-	26		25	PULSE+
SIGN-	24		23	SIGN+
MON2	22		21	MON1
T_REF	20		19	V_REF
DO2-	18		17	DO2+
DO1-	16		15	DO1+
PULL HI_P	14		13	PULL HI_S
/OB	12		11	OB
GND	10		9	DI4-
DI3-	8		7	DI2-
DI1-	6		5	COM+
/OZ	4		3	OZ
/OA	2		1	OA

#### (4) Wiring

Step 1: use a flathead screwdriver to press the spring down to open the pin.

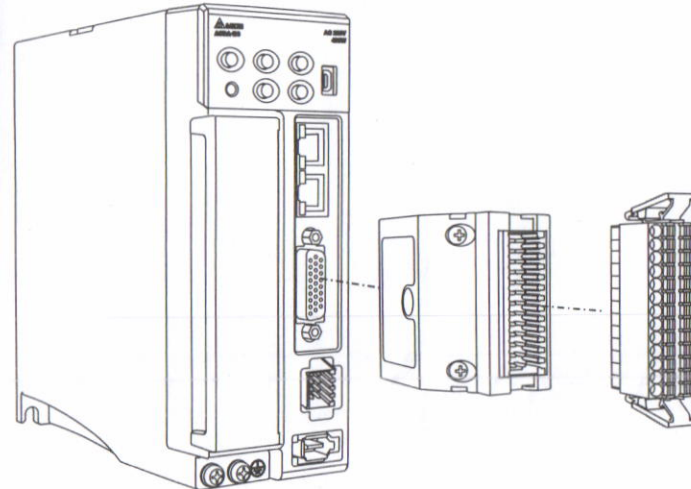


Step 2: insert the stripped wire into the pin.

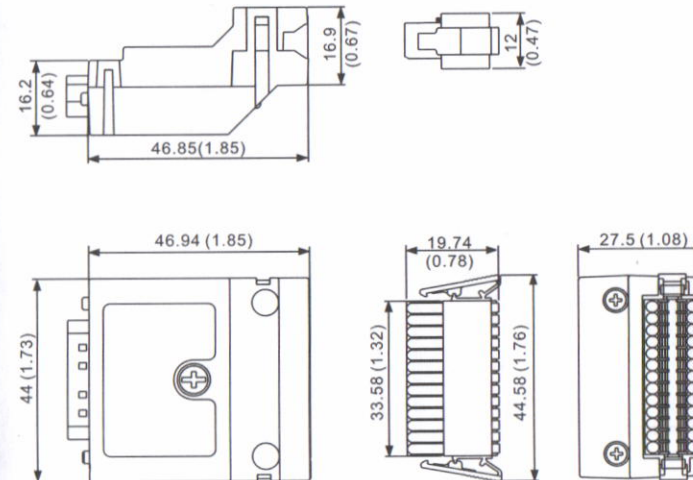


Note: for the wire specifications, refer to the ASDA-B3/E3 User Manual.

#### (5) Installation diagram



#### (6) Dimensions



Unit: mm (inch)

Asia		
<b>台達電子工業股份有限公司 機電事業群</b> 地址: 330477桃園市桃園區兩路18號 TEL: 886-3-3626301 FAX: 886-3-3716301	<b>Industrial Automation Headquarters Delta Electronics, Inc.</b> Taoyuan Technology Center No. 18, Xinglong Rd., Taoyuan District, Taoyuan City 330477 TEL: 886-3-362-6301 FAX: 886-3-371-6301	
Asia		
<b>中達電通股份有限公司</b> 地址: 上海市浦东新区新區麗澤路238號 郵編: 201209 電話: (021)5863-5678 / 傳真: (021)5863-0003	<b>Delta Greentech (China) Co., Ltd.</b> No. 238, Min-Xia Road, Pudong District, Shanghai, P.R.C TEL: (021)5863-5678 / FAX: (021)5863-0003	
<b>沈陽</b> 電話: (024)2334-1160	<b>濟南</b> 電話: (0531)8690-6277	<b>杭州</b> 電話: (0571)8882-0610
<b>重慶</b> 電話: (023)8806-0306	<b>烏魯木齊</b> 電話: (0991)4678-141	<b>蘭州</b> 電話: (0931)6406-725
<b>哈爾濱</b> 電話: (0451)5366-5568	<b>太原</b> 電話: (0351)4039-485	<b>合肥</b> 電話: (0551)6281-6777
<b>昆明</b> 電話: (0871)6313-7362	<b>廣州</b> 電話: (020)3879-2175	<b>西安</b> 電話: (029)8836-0780
<b>長春</b> 電話: (0431)8892-5060	<b>鄭州</b> 電話: (0371)6384-2772	<b>武漢</b> 電話: (027)8544-8475
<b>廈門</b> 電話: (0592)5313-601	<b>貴陽</b> 電話: (0851)8690-1374	<b>福州</b> 電話: (0591)8755-1305
<b>呼和浩特</b> 電話: (0471)6297-808	<b>石家莊</b> 電話: (0311)8666-7337	<b>南昌</b> 電話: (0791)8625-5010
<b>北京</b> 電話: (010)8225-3225	<b>上海</b> 電話: (021)6301-2827	<b>成都</b> 電話: (028)8434-2075
<b>南京</b> 電話: (025)8334-6585	<b>長沙</b> 電話: (0731)8549-9156	
<b>天津</b> 電話: (022)2301-5082		
Asia		
<b>China: Delta Electronics (Shanghai) Co., Ltd.</b> No.182 Minyu Rd., Pudong Shanghai, P.R.C. Post code: 201209 TEL: +86-21-6872-3988 FAX: +86-21-6872-3996 Customer Service: 400-820-9595	<b>Japan: Delta Electronics (Japan), Inc.</b> Industrial Automation Sales Department 2-1-14 Shibadaimon, Minato-ku Tokyo, Japan 105-0012 TEL: +81-3-5733-1155 FAX: +81-3-5733-1255	<b>Korea: Delta Electronics (Korea), Inc.</b> 1511, 219, Gasan Digital 1-Ro., Geumcheon-gu, Seoul, 08501 South Korea TEL: +82-2-515-5305 FAX: +82-2-515-5302
Asia		
<b>Singapore: Delta Energy Systems (Singapore) Pte Ltd.</b> 4 Kaki Bukit Avenue 1, #05-04, Singapore 417939 TEL: +65-6747-5155 FAX: +65-6744-9228	<b>India: Delta Electronics (India) Pvt. Ltd.</b> Plot No.43, Sector 35, HSIIDC Gurgaon, PIN 122001, Haryana, India TEL: +91-124-4874900 FAX: +91-124-4874945	<b>Thailand: Delta Electronics (Thailand) PCL.</b> 909 Soi 9, Moo 4, Bangpoo Industrial Estate (E.P.Z), Pattana 1 Rd., T.PhraKsa, A.Muang, Samulprakam 10280, Thailand TEL: +66-2709-2800 FAX: +66-2709-2827
Asia	Americas	
<b>Australia: Delta Electronics (Australia) Pty Ltd.</b> Unit 2, Building A, 18-24 Ricketts Road, Mount Waverley, Victoria 3149 Australia Mail: IA_AU@deltaww.com TEL: +61-1300-335-823 / +61-3-9543-3720	<b>USA: Delta Electronics (Americas) Ltd.</b> 5101 Davis Drive, Research Triangle Park, NC 27709, U.S.A TEL: +1-919-767-3813 FAX: +1-919-767-3969	<b>Brazil: Delta Electronics Brazil Ltd.</b> Estrada Velha Rio-São Paulo, 5300 Eugênio de Melo - São José dos Campos CEP: 12247-004 - SP - Brazil TEL: +55-12-3932-2300 FAX: +55-12-3932-237
Americas	EMEA	
<b>Mexico: Delta Electronics International Mexico S.A. de C.V.</b> Gustavo Baz No. 309 Edificio E PB 103 Colonia La Loma, CP 54060 Tlalneapantla, Estado de México TEL: +52-55-3603-9200	<b>EMEA Headquarters: Delta Electronics (Netherlands) B.V.</b> Sales: Sales.IA.EMEA@deltaww.com Marketing: Marketing.IA.EMEA@deltaww.com Technical Support: iatechnicalsupport@deltaww.com Customer Support: Customer-Support@deltaww.com Service: Service.IA.emea@deltaww.com TEL: +31(0)40 800 3900	<b>BENELUX: Delta Electronics (Netherlands) B.V.</b> Automotive Campus 260, 5708 JZ Helmond, The Netherlands Mail: Sales.IA.Benelux@deltaww.com TEL: +31(0)40 800 3900
DACH: Delta Electronics (Netherlands) B.V.	France: Delta Electronics (France) S.A.	Iberia: Delta Electronics Solutions (Spain) S.L.U
Coesterweg 45, D-59494 Soest, Germany Mail: Sales.IA.DACH@deltaww.com TEL: +49(0)2921 987 0	Zi du bois Challand 2, 15 rue des Pyrénées, Lisses, 91090 Evry Cedex, France Mail: Sales.IA.FR@deltaww.com TEL: +33(0)1 69 77 82 60	Ctra. De Villaverde a Vallecas, 265 1º Dcha Ed. Hormigueras - P.I. de Vallecas 28031 Madrid TEL: +34(0)91 223 74 20 Carrer Llacuna 166, 08018 Barcelona, Spain Mail: Sales.IA.Iberia@deltaww.com
EMEA		
<b>Italy: Delta Electronics (Italy) S.r.l.</b> Via Meda 2-22060 Novedrate(CO) Piazza Grazioli 18 00186 Roma Italy Mail: Sales.IA.Italy@deltaww.com TEL: +39 039 8900365	<b>Russia: Delta Electronics System LLC</b> Vereyskaya Plaza II, office 112 Vereyskaya str. 17 121357 Moscow Russia Mail: Sales.IA.RU@deltaww.com TEL: +7 495 644 3240	<b>Turkey: Delta Greentech Elektronik San. Ltd. Sti. (Turkey)</b> Şerifali Mah. Hendem Cad. Kule Sok. No:16-A 34775 Ümraniye - İstanbul Mail: Sales.IA.Turkey@deltaww.com TEL: +90 216 498 9910
EMEA		
<b>MEA: Eitek Dubai (Eitek MEA DMCC)</b> OFFICE 2504, 25th Floor, Saba Tower 1, Jumeirah Lakes Towers, Dubai, UAE Mail: Sales.IA.MEA@deltaww.com TEL: +971(0)4 2690148	<b>UK: Delta Electronics Europe Ltd.</b> 1 Redwood Court, East Kilbride, Glasgow, G74 5PF, United Kingdom Mail: Sales.IA.MEA@deltaww.com TEL: +44-1355-588-888	