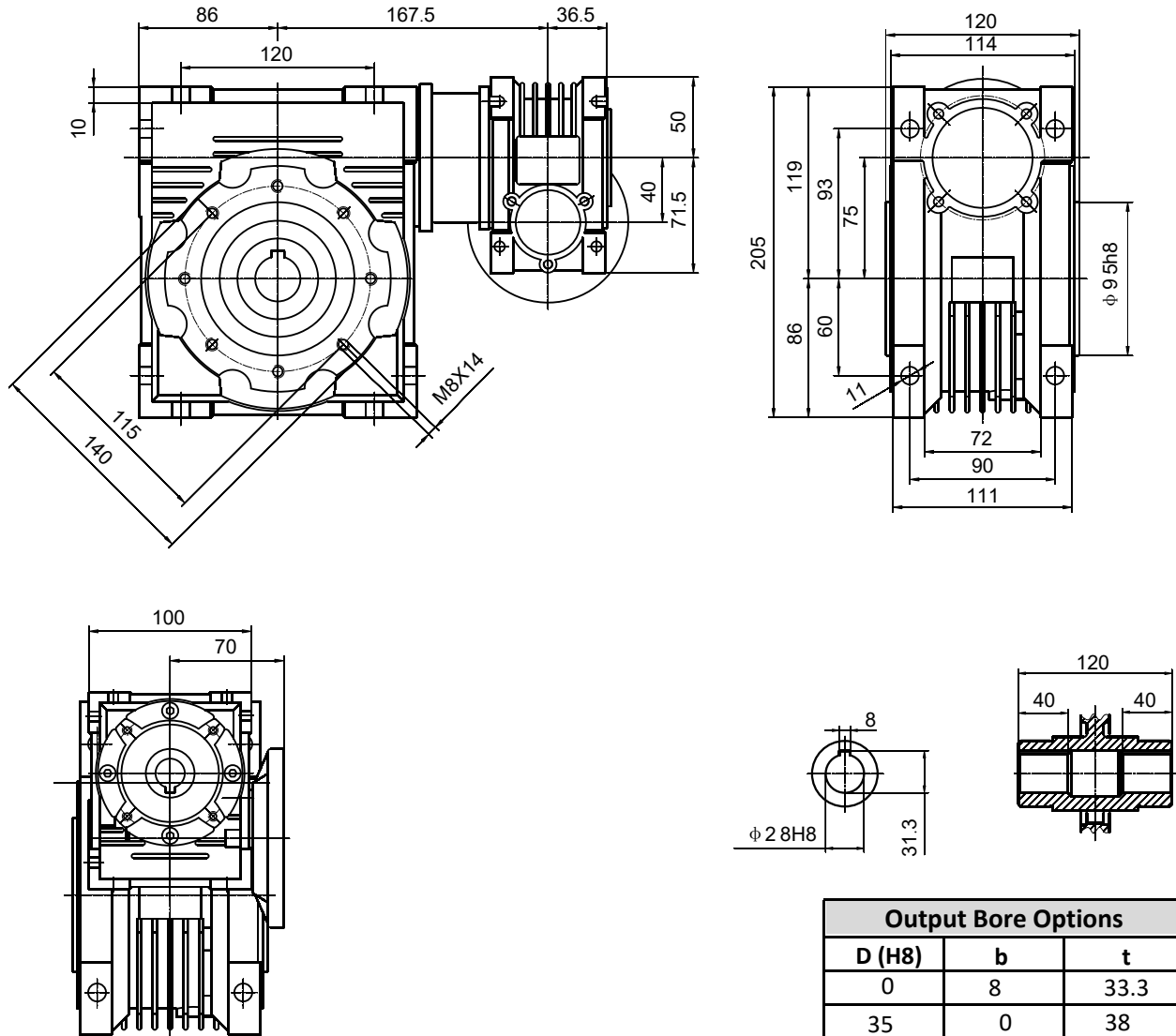
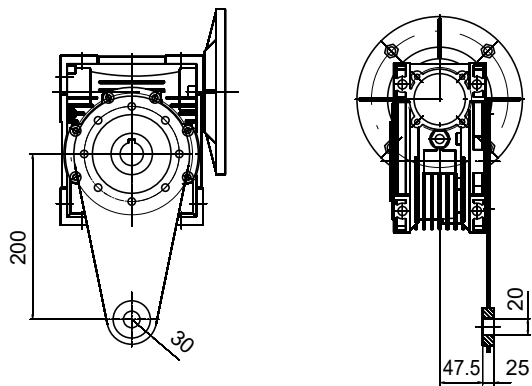


## Universal Mount

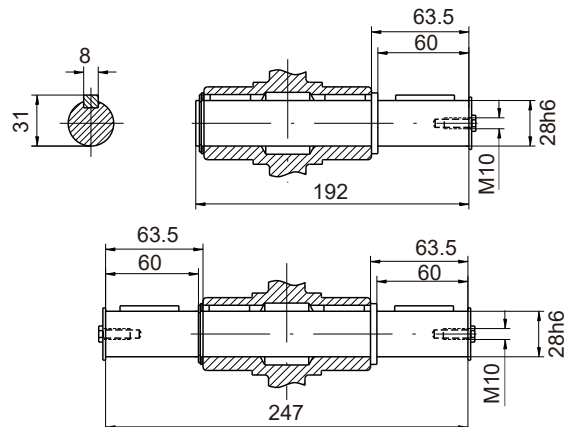


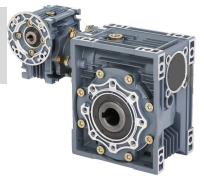
**Weight 11.8Kg**

## Torque Arm



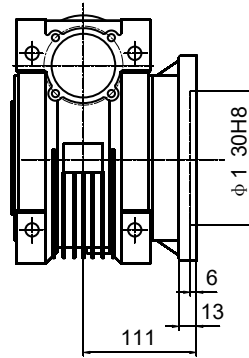
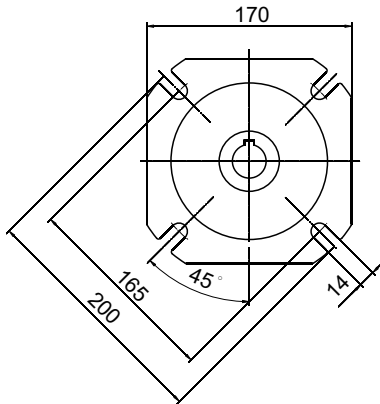
## Output Shaft Options



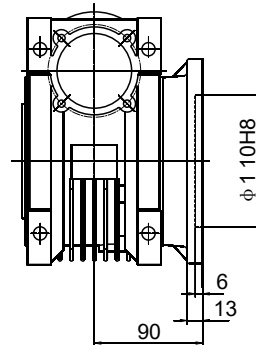
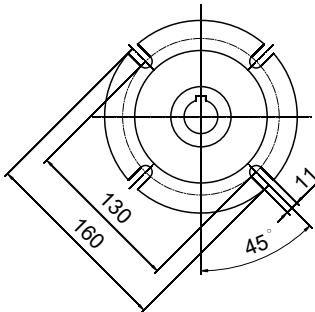


## Output Flange Options

**FA**



**FB**



## Input Motor Flange Dimensions

| IEC | 56B14 | 65B5 | 63B14 | 63B5 | 71B14 | 71B5 |
|-----|-------|------|-------|------|-------|------|
| DE8 | 9     | 9    | 11    | 11   | 14    | 14   |
| P   | 80    | 120  | 90    | 140  | 105   | 160  |
| M   | 65    | 100  | 75    | 115  | 85    | 130  |
| N   | 50    | 80   | 60    | 95   | 70    | 110  |

