

Rope Length Transmitter of version SL3000

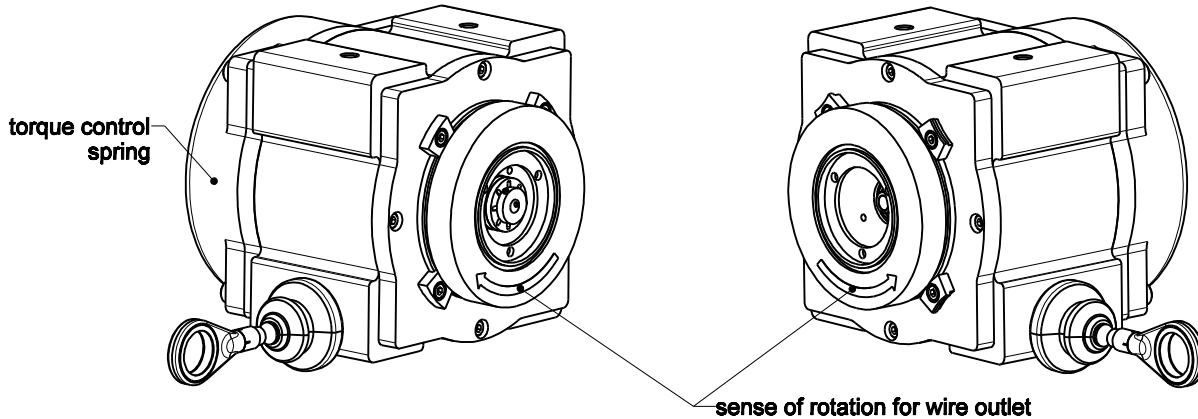
Mounting instruction for changing the spring cartridge GS130 (5-30m)

FSG Fernsteuergeräte
Mess- und Regeltechnik GmbH
D-15712 Königs-Wusterhausen
OT Kablow, Mühlenweg 2-3



wire outlet "right" (standard)

wire outlet "left"

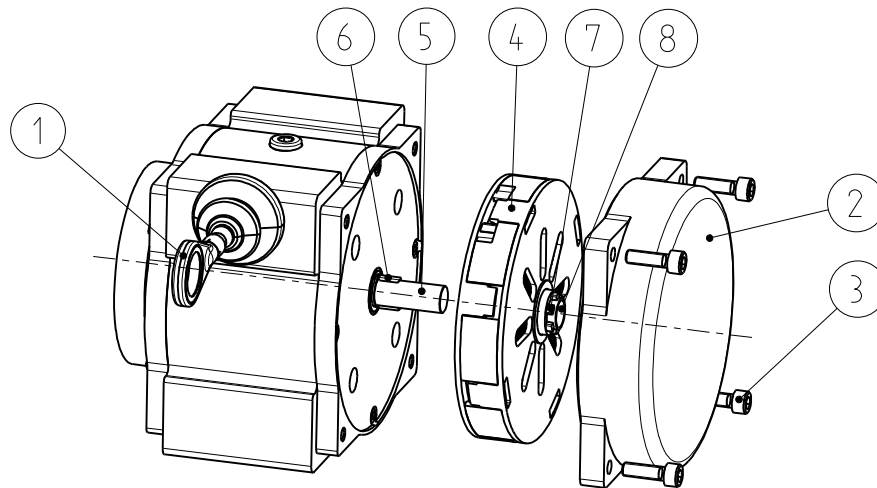


disassembling of the old spring cartridge

- extract the wire (1) at maximum and lock at this position (e.g. FSG wire stop)
- release 4 screws M6 (3) carefully (keep hold on the feather cap)
- rotate back the control spring (2) against light impression
!attention! the draw-off of the torque control spring in tight condition may result in injuries of the spring
- drop off the torque control spring carefully and draw-off the spring cartridge(s) (4) from the shaft (5)

built-in the new spring cartridge

- the wire is extracted at maximum and locked at this position
- push the spring cartridge(s) on the shaft and watch that the feather key (6) contact the nut of the spring frame (7)
- put-on the torque control spring (nuts in the torque control spring may locked in the cogging of the last spring frame (8))
- draw on the torque control spring for wire outlet "right" in clockwise direction against light impression until arrester (seen on torque control spring) (wire outlet "left" against clockwise direction)
- according to measuring length and version (see chart), turn back the torque control spring according to instructions
- attach 4 screws M6 and tighten
- release the measuring wire from arrester and pull-in slowly



design	root of article number	measuring length	numbers of the turning back spring coils
GS130	5930Z02, Z50	5m	6 rotations
		10m	2 rotations (12 rot.)*
		15m	8 rotations (12 rot.)*
		20m	4 rotations (12 rot.)*
		25m	12 rotations (9 rot.)*
		30m	6 rotations (12 rot.)*

*) numbers of coil for version with additional spring cartridge

Diese Unterlage ist unser Eigentum. Jede Vervielfältigung, Verbreitung oder Mithilfe an Dritte Personen oder Konkurrenzfirmen ist strafbar und wird gerichtlich verfolgt. (Urheberrechtsgesetz, Gesetz gegen unlauteren Wettbewerb BGB). FERNSTEUERGERÄTE Mess- und Regeltechnik GmbH

5930Z02-MA:19E

/0

Blatt 1/1

M 3:10

Datum	20.07.10
gezeichnet	C.Dierich
geprüft	Henkel
Datei	5930Z02_MA_19E.dwg