

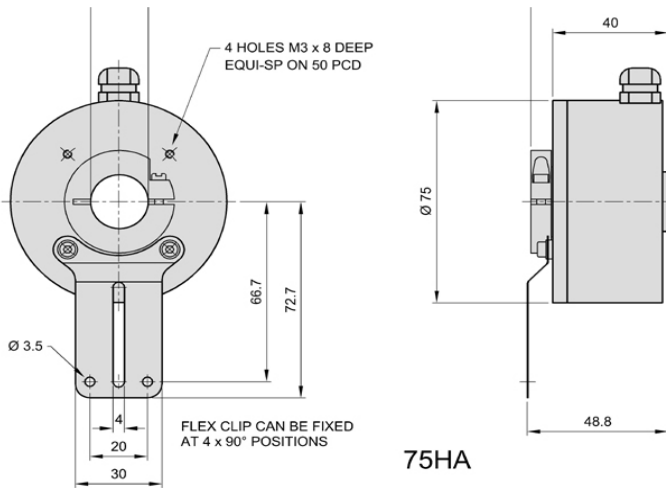
S E R I E S



75HA LUMINIUM

ROTARY INCREMENTAL SHAFT ENCODER

The 75HA Series is a precision, yet versatile hollow shaft encoder, machined from solid aluminium. Its choice of versatile spring mounting clip or front face mounting holes, makes the encoder compatible with many industrial formats.



S P E C I F I C A T I O N S

Body:

Precision Machined Aluminium

Cover:

Precision Machined Aluminium (Powder Coated)

Shaft:

Stainless Steel

Bearings:

Ballraces

Shaft Sealing:

Front: Sealed bearing
Rear: Single lip seal on rear of cover

Protection:

IP65

Operating Temp:

-20 to +60°C
(higher on request)

Maximum Speed:

3000 RPM
(Higher on request)

Torque:

2Ncm (typical)

Inertia:

100gcm² (typical)

Shaft Loading:

Designed to support its own weight

Cable:

Screened, oil and salt water proof

Impulse Frequency:

Up to 300KHz
(depending on model)

Current Consumption:

60mA
(typical - without load)

S T A N D A R D R E S O L U T I O N S

- 1,2,3,4,5,6,7,8,9,10,11,12,13,14,15,16,17,18,19,20,21,22,23,24,25,26,27,28,29,30,31,32,33,34,35,36,37,38,39,40,41,42,43,44,45,46,47,48,49,50,51,52,53,54,55,56,57,58,59,60,61,62,63,64,65,66,67,68,69,70,71,72,73,74,75,76,77,78,79,80,81,82,83,84,85,86,87,88,89,90,91,92,93,94,95,96,97,98,99,100,101,102,103,104,105,106,107,108,109,110,111,112,113,114,115,116,117,118,119,120,121,122,123,124,125,126,127,128,129,130,131,132,133,134,135,136,137,138,139,140,141,142,143,144,145,146,147,148,149,150,151,152,153,154,155,156,158,159,160,161,162,163,164,165,166,167,168,169,170,171,172,173,174,175,176,177,178,179,180,181,182,183,184,185,186,187,188,189,190,191,192,193,194,195,196,197,198,199,200,201,202,203,204,205,206,207,208,209,210,211,212,213,214,215,216,217,218,219,220,221,222,223,224,225,226,227,228,229,230,231,232,233,234,235,236,237,238,239,240,241,242,243,244,245,246,247,248,249,250,251,252,253,254,255,256,257,258,259,260,261,262,263,264,265,266,267,268,269,270,271,272,273,274,275,276,277,278,279,280,281,282,283,284,285,286,287,288,289,290,291,292,293,294,295,296,297,298,299,300,301,302,303,304,305,306,307,308,309,310,311,312,313,314,315,316,317,318,319,320,321,322,323,324,325,326,327,328,329,330,331,332,333,334,335,336,337,338,339,340,341,342,343,344,345,346,347,348,349,350,351,352,353,354,355,356,357,358,359,360,361,362,363,364,365,366,367,368,369,370,371,372,373,374,375,376,377,378,379,380,381,382,383,384,385,386,387,388,389,390,391,392,393,394,395,396,397,398,399,1000,1001,1002,1003,1004,1005,1006,1007,1008,1009,1010,1011,1012,1013,1014,1015,1016,1017,1018,1019,1020,1021,1022,1023,1024,1025,1026,1250,1270,1400,1500,1800,2000,2048,2250,2400,2500,3000,3600,4000,4096,5000,6000,9000,10000...

CONNECTIONS

FUNCTION CABLE PLUG

| | | |
|-------------------|--------|-------|
| 0 Volts | Black | Pin 1 |
| + Volts | Red | Pin 2 |
| A Channel | White | Pin 3 |
| B Channel | Blue | Pin 4 |
| Z Channel | Yellow | Pin 5 |
| \bar{A} Channel | Green | Pin 6 |
| \bar{B} Channel | Violet | Pin 7 |
| \bar{Z} Channel | Brown | Pin 8 |

ACCESSORIES AVAILABLE

~COUPLINGS

~BRACKETS & FLANGES

~MEASURING WHEELS

STANDARD FEATURES

- IP65 Protection
- Automatic Calibration
- Short - Circuit & Overload Protection
- UK Manufactured
- High Noise Immunity
- Robust Construction
- Low Cost
- Fast Delivery
- 3 YEAR WARRANTY

STANDARD ORDERING CODES

