


1. Making a new DriveView9 project

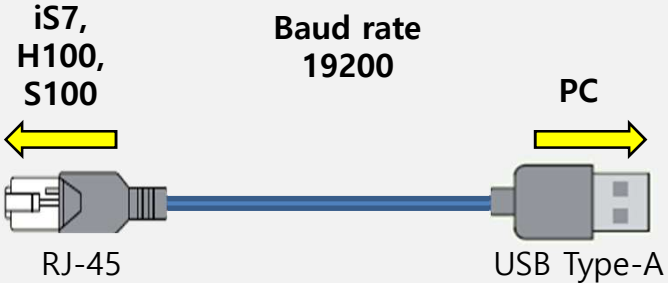
Communication Connecting Method

1) iS7, S100, H100

- Use the LS USB to RS232 converter and wire the USB Type-A to the computer and RJ45 to the keypad port.



- Model: T232-LSLV
- Manufacturer: Sinforcon
- Supplier: LS ELECTRIC
- CODE: 64090353



**iS7,
H100,
S100**

**Baud rate
19200**


PC

RJ-45

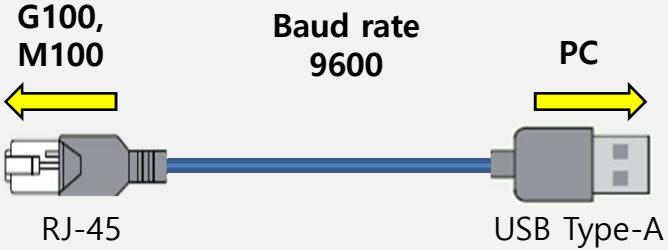
USB Type-A

2) G100, M100 (Advanced I/O)

- Use the LS USB to RS485 converter and wire the USB Type-A to the computer and RJ45 to the RJ45 port of the Drive. The RJ45 port can be seen when removing the front cover of the Drive.



- Model: T485-LSLV
- Manufacturer: Sinforcon
- Supplier: LS ELECTRIC
- CODE: 64090354



**G100,
M100**

**Baud rate
9600**

PC

RJ-45

USB Type-A