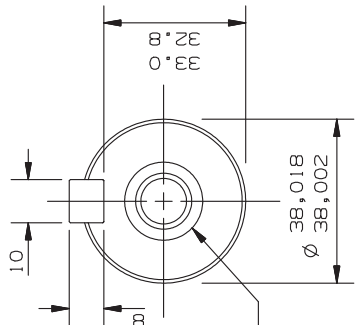
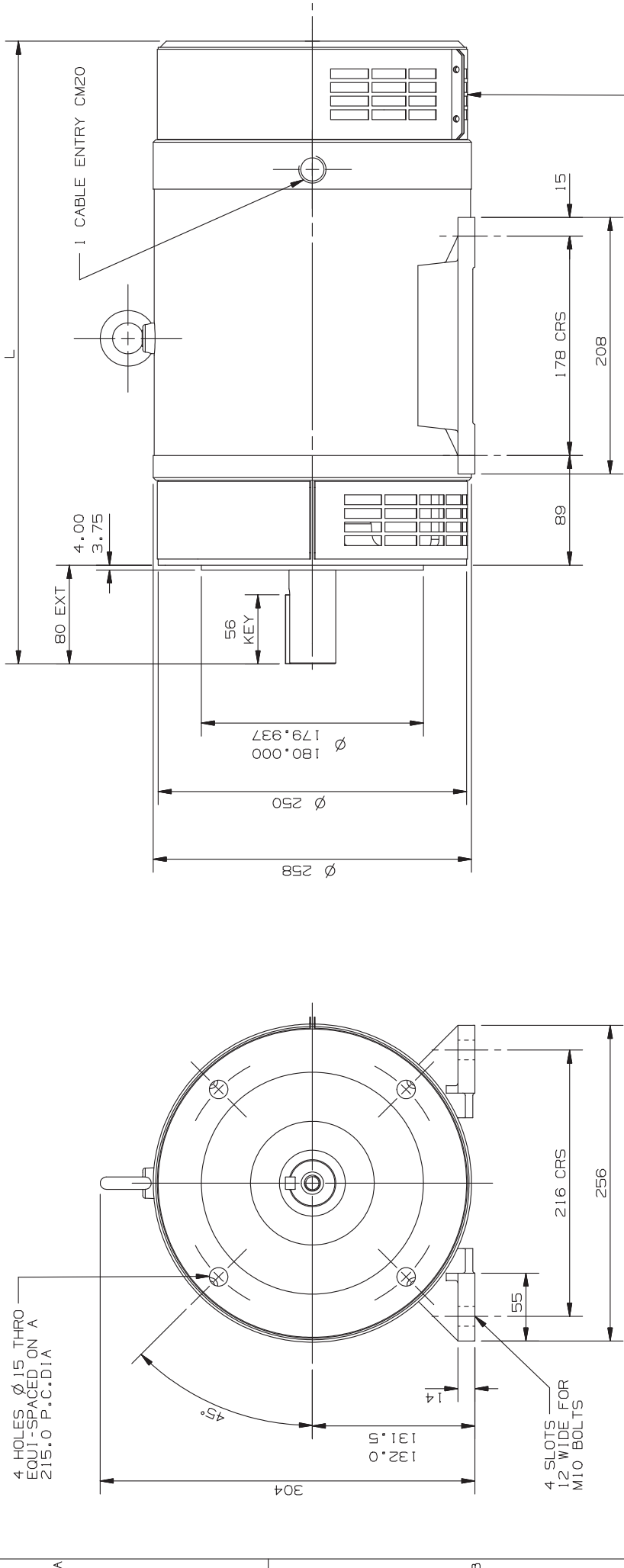


DIMENSIONS IN MILLIMETRES UNLESS OTHERWISE STATED
 DO NOT SCALE FROM DRAWING



DRG No	FRAME SIZE	L
FS.88191	MD132 130LC	475
FS.88192	MD132 160LC	505
FS.88193	MD132 200LC	545

COVERS WILL BE FITTED TO SUIT COOLING AND ENCLOSURE ON ORDER

REMOVE BAND COVERS TO GAIN ACCESS TO TERMINAL BOARDS AND BRUSHGEAR.

CUSTOMER	SERIAL No	CUST O/N
FRAME	K.W.	R.P.M.
ARM VOLTS	FIELD VOLTS	WINDING

ISSUED BY D.S.D.O.
 AT BLACKHEATH
 DR'N N.R. TAYLOR DATE 23-10 DATE

SIMILAR DRAWINGS	
CONFIDENTIAL	COPYRIGHT
940/921523/3	© 2007

DE SHAFT DETAILS

MOD	DATE	MODIFICATION	CDN No	MOD DATE	CDN No
A	17-09 1976	ORIGINAL ISSUE			
B	23-10 2007	RE-DRAWN ON CAD	Z.237		

BROOK BROMPTON

BLACKHEATH WORKS

MD132 OUTLINE IM2001 F00T & F215-1
 LC 2BR/SP No38 SHAFT STANDARD NDE

FIRST ORDER NUMBER 940/921523/3
 SCALE NTS
 DRG No. **FS.88191-193**
 SIZE A3 297 x 420
 THIRD ANGLE PROJECTION