

DIMENSIONS IN MILLIMETRES UNLESS OTHERWISE STATED
DO NOT SCALE FROM DRAWING

DRG No. **8.5604.9554.07**

CUST No.

A

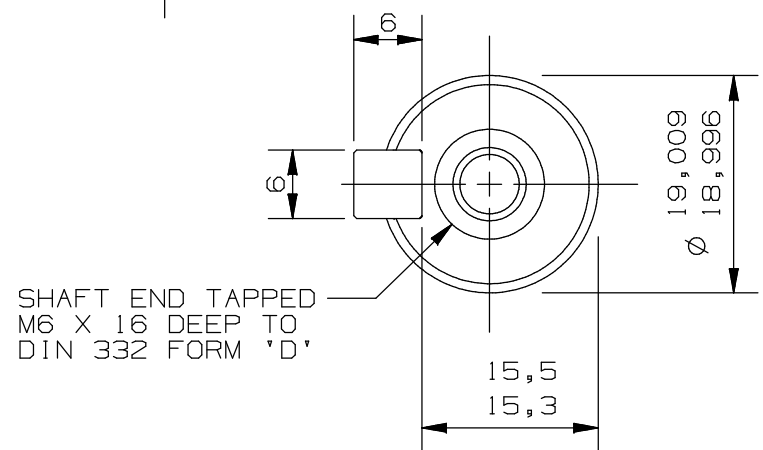
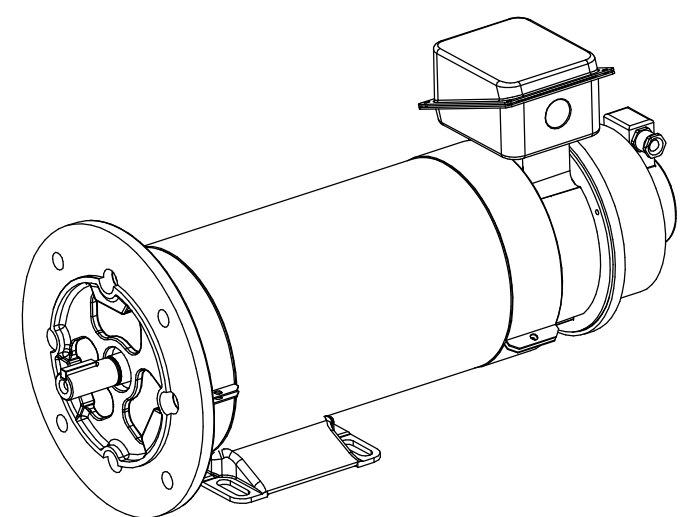
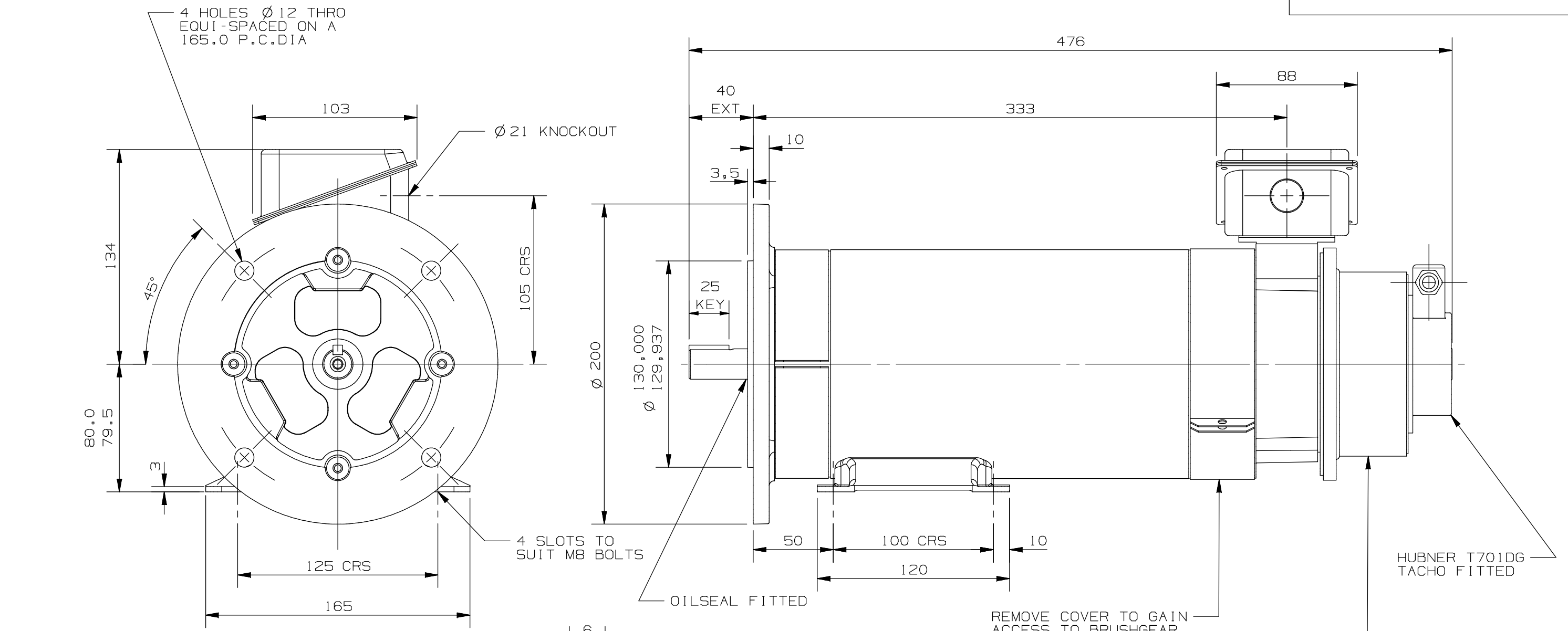
B

C

A

B

C



COVERS WILL BE FITTED TO SUIT
COOLING AND ENCLOSURE ON ORDER

CUSTOMER		SERIAL No		CUST O/N	
FRAME	MP80 160	K.W.		R.P.M.	
ARM VOLTS		FIELD VOLTS		WINDING	

ISSUED BY D.S.D.O.
AT CRADLEY HEATH
DR*N N.R.TAYLOR DATE 26-11
10.076 DATE
SIMILAR DRAWINGS
7.5604.9554.01
7.5604.9553.07

**BROOK
CROMPTON**

SPECIAL PRODUCTS

OUTLINE DIMENSIONS OF A
PERMANENT MAGNET DC MOTOR

MOD	DATE	MODIFICATION	CDN No	MOD	DATE	MODIFICATION	CDN No

CONFIDENTIAL	COPYRIGHT © 2010	FIRST ORDER NUMBER 080MP00057	SCALE NTS SIZE A3 297 x 420	DRG No. 8.5604.9554.07	THIRD ANGLE PROJECTION
--------------	---------------------	-------------------------------------	-----------------------------------	----------------------------------	------------------------