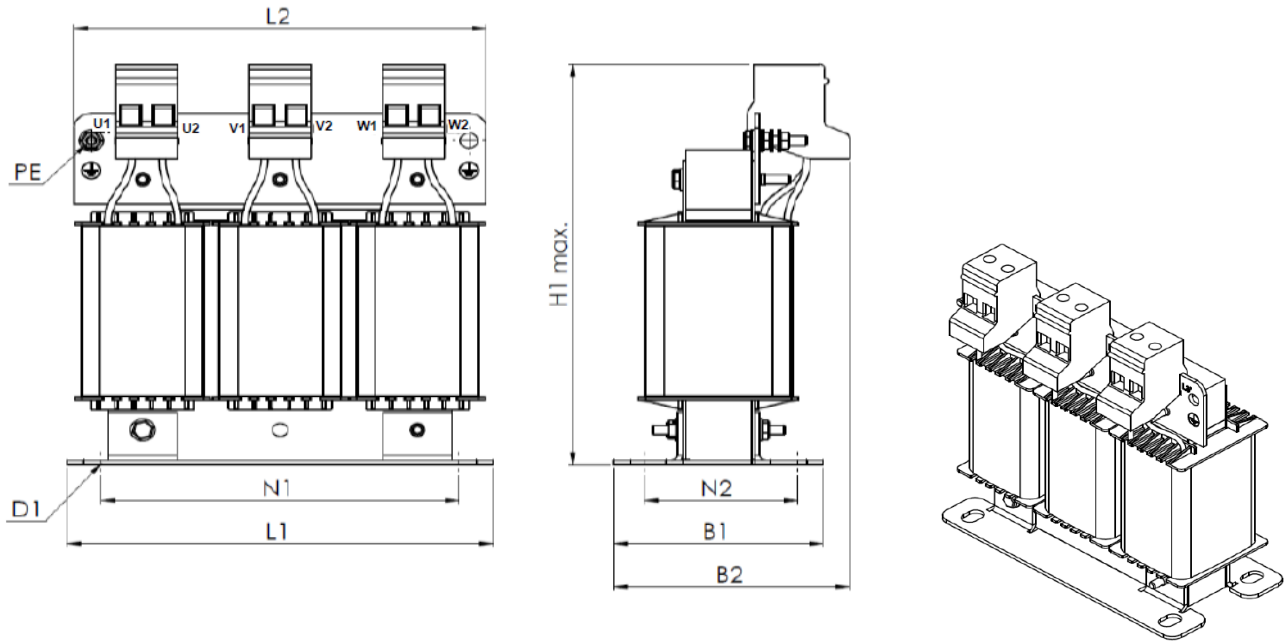


Weitergabe sowie Vervielfältigung dieser Unterlage, Verwertung und Mitteilung ihres Inhaltes sind nur mit unserer Zustimmung gestattet. Alle Rechte vorbehalten.
 Passing on as well as duplication of this document, utilization and report of their contents are permitted only with our agreement. All rights reserved.



Dimension drawing:



all materials according to REO insulation system REO Class 155 (F) REO 155-1 E 251513!
 Clamp E 328213

Subject to technical and dimensional modifications!

Mechanical Data:

Length L1	125,0 mm	Fixing space N1	100,0 mm	total weight	2,70 kg
Length L2	120,0 mm	Fixing space N2	55,0 mm	weight Cu	0,80 kg
Width B1	71,0 mm	Diameter D1	ø 5,0 x 8,0 mm		
Width B2	76,0 mm			connection Clamp	2,5 mm ²
Height H1	130,0 mm			connection PE	M4 x 25

Tolerance according to ISO2768-1 Tolerance class c

Electrical Data:

Rated current:	I eff.	12 A	
Voltage:	U	500 V	(50 / 60 Hz)
Inductance:	L	1,2 mH	± 10 %
DC resistance:	R	25,4 mΩ	± 10 %
Power losses:		52,0 W	
cooling system		AN	
Thermal class:		F	@ 40° C Environment
Climate class:		25/085/21	DIN IEC 68 Part 1
Max. Winding temp:		140° C	Environment +Δ9
Degree of protection:		IP 00	

Schematic:



Tests

Inductance (mH)	Lo (± 10%)	bei 100Hz , 1V
High voltage	2,5 kV / 50 Hz/60s	Winding - Winding Winding - PE
mechan. dimensions	yes	
Visual inspection	yes	

Label:

Designation: N CNW 854 / 12A / 1,2mH
 Text 1: REO 3ph-motor choke
 I[A]: 12
 U[V]: 500V/50Hz
 L[mH]: 1,2
 Text 2:
 Text 3: T40/F
 Terminal designation: U1 U2 V1 V2 W1 W2

Bezeichnung	Text 1	
REO AG Class 155 (F)	REO 155-1 E 251513	
I (A)	U (VDC)	L (mH)
Text 2	Text 3	
Klemmenbezeichnung		CE



REO AG Class 155 (F)
 REO 155-1 E 251513

Designation:

REO 3ph-motor choke
N CNW 854 / 12A / 1,2mH

Drawing-Nr.:

BV 969403.00 - 00

Cond.	Date	Name	Amendment
signed	Date	Name	Page
revised by	2.6.21	Freude	No. off. No.
checked			

