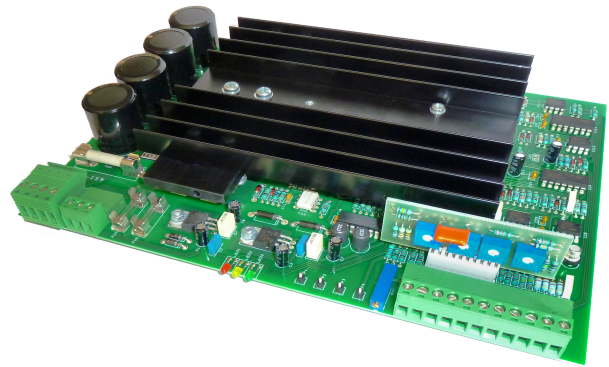


DESCRIPTION :

The NE2220 is a transistorized PWM servo controller that is intended for use as a general purpose controller of permanent magnet, brushed, dc servomotors with power ratings up to 2700 watts.

The NE2220 can be configured as either a speed controller, where the feedback signal is from a dc tachogenerator, or as a current controller.

It has been designed to be a replacement for both the NE2110 and NE2120 servo controllers.



FEATURES :

- 4-Quadrant operation.
- Operating parameters on customizable Personality Module.
- Can be configured for both Velocity and Current (Torque) control modes.
- Current fold-back function limits the average current available to the motor.
- Short-circuit protection.
- Heat sink over-temperature protection.
- Positive and negative over-travel limit inputs.
- LED status indication.

Technical Data			
Bus Voltage	Max.	180	V DC
	Min.	24	V DC
Armature Output Current	Peak	30	A
	Cont.	15	A
Switching Frequency		10	kHz
Armature Inductance	Min.	2.0	mH
Operating Temperature	Min.	0	°C
	Max.	50	°C
Height		233.4	mm
Width		160	mm
Depth		40	mm
Protection Class		IP00	

CONTROL SIGNALS :

Command I/P	±10V Differential input
Tach I/P	±50V Single-ended tach feedback input
Enable I/P)
+Limit I/P)--- Active-high, +15V to +24V input
-Limit I/P)
Fault O/P	NPN open collector output. 24V, 75mA max.

USER ADJUSTMENTS :

All adjustments (apart from the Offset) are made on a customizable Personality Module.

They are:

<input type="checkbox"/> Offset	Pot on main board
<input type="checkbox"/> Stability	Pot / fixed resistors
<input type="checkbox"/> Peak current limit	Pot / fixed resistors
<input type="checkbox"/> Command gain	Pot / fixed resistors
<input type="checkbox"/> Tach gain	Pot / fixed resistors

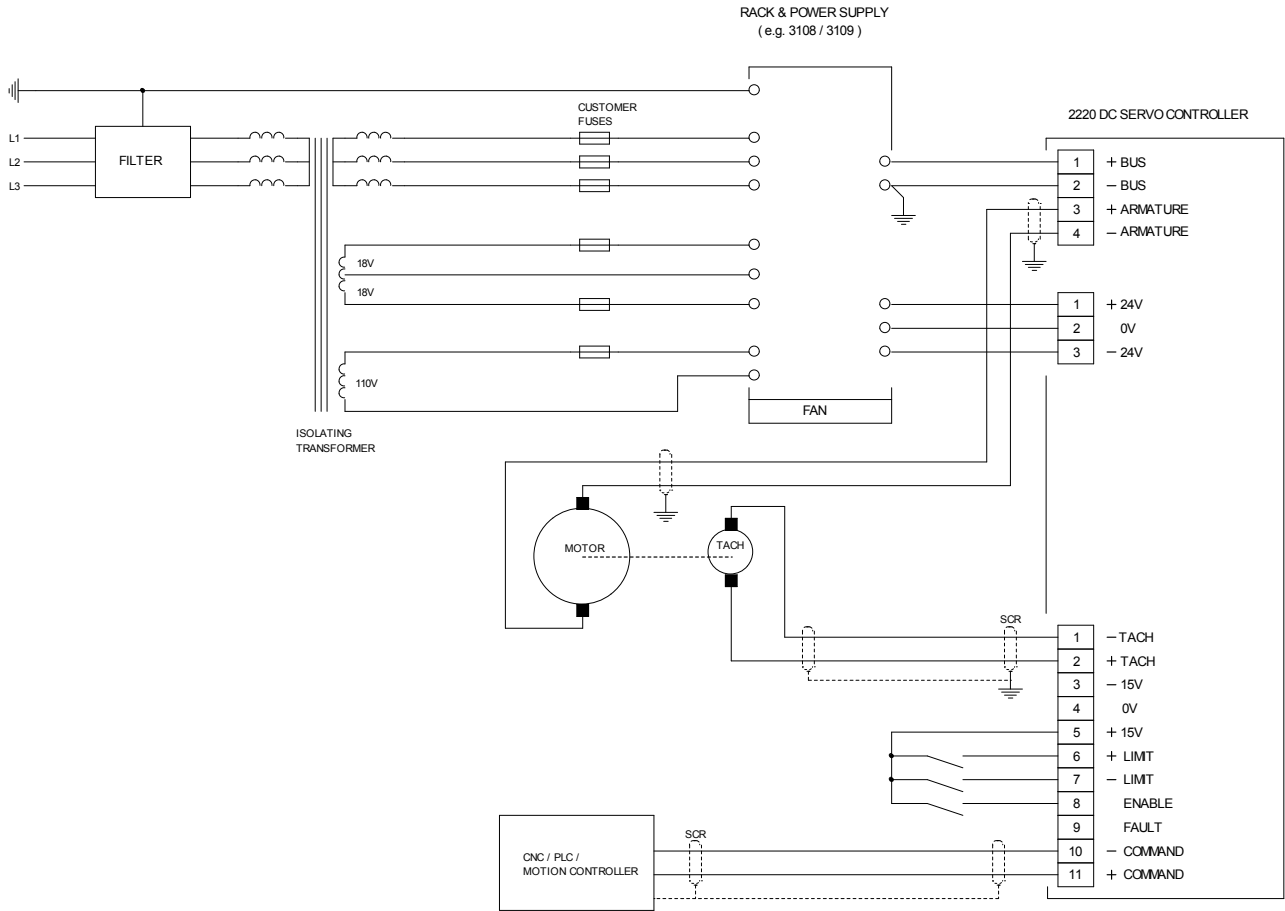
NORWIN ELECTRONICS LTD

Unit 6, Station Road, Gamlingay, Sandy, Bedfordshire, SG19 3HB

Phone: +44 (0) 1767 651485 Fax: +44 (0) 1767 651623 Web: www.norwin.co.uk



ELECTRICAL CONNECTIONS



OUTLINE DIMENSIONS

