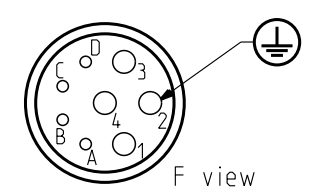
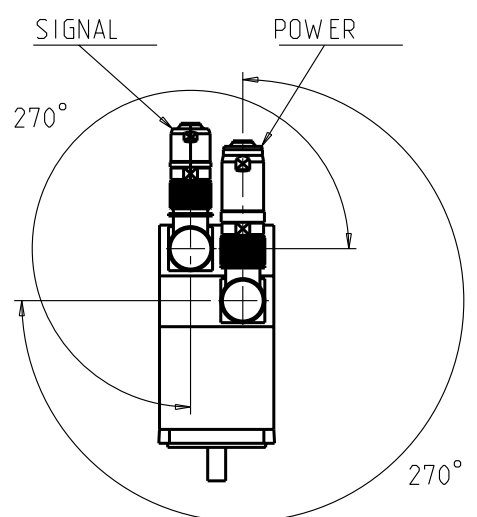


**POWER CONNECTOR**

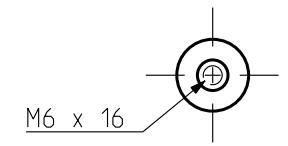


- 1 : Phase U
- 2 : Ground
- 3 : Phase W
- 4 : Phase V
- A : Brake +
- B : Brake -
- C, D : No connection

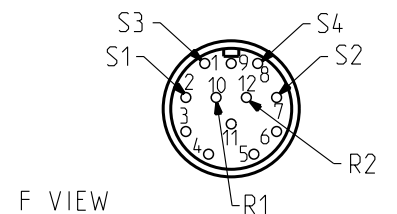
**ORIENTATION OF CONNECTORS**



**SHAFT END**



**FEEDBACK CONNECTOR**



**BRAKE**

Supply voltage : 24V ±10%  
Static torque

	NX420	NX430
20 °C	6 Nm	6 Nm
100 °C	5 Nm	5 Nm

**DIMENSIONS**

	NX420	NX430
L Maxi	226	251
B	120	145

Weight :

This document is the property of PARVEX. Transmission as well as reproduction or copy is not permitted without written authorisation.

Drawn	16/12/99	JMB	Visa	
Modifications	c	AM 21012 20/03/02 RG	f	AM 21992 09/06/05 YG
	b	AM 20589 05/01/01 RG	e	AM 21359 02/04/03 NV
	a	AM 20366 02/11/00 PR	d	AM 21163 23/09/02 SP

Scale: 1:2

PARVEX  
8 Avenue du Lac. BP249  
21007-DIJON cedex-FRANCE  
www.parvex.com

NX400 + BRAKE  
OUTLINE DRAWING

Format	F	E	S	G	I
A3	x	x			
344178AE7300 f					