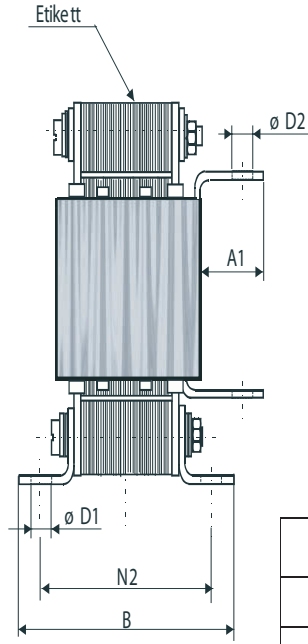
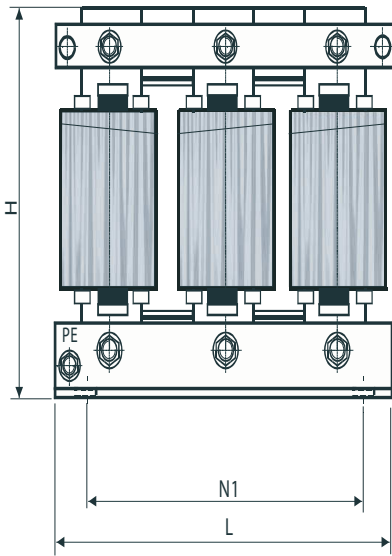
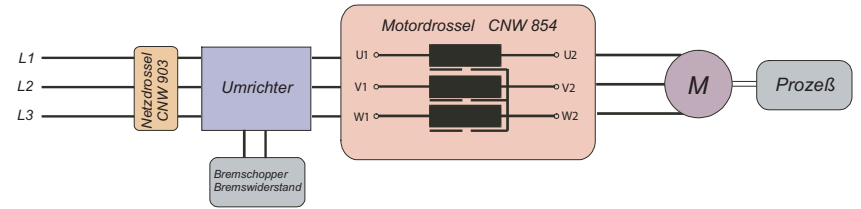


### Dimensional Information

Cu-bar Version



### Circuit Diagram



Type	Connection □ D2 [mm]	L [mm]	B [mm]	H [mm]	N1 [mm]	N2 [mm]	□ D1 [mm]	A1 [mm]	Rated Voltage [V]	Rated current [A]	Inductance per phase [μH]	Conductor Weight [kg]	Weight [kg]
CNW 854/200	9	310	180	260	224	117	10x18	40	3 x 500 50/60Hz	200	80	2	35
CNW 854/250	9	310	180	260	224	117	10x18	40		250	65	2,3	35
CNW 854/300	9	380	180	310	248	139	10x18	40		300	53	2,3	48
CNW 854/350	11	380	180	310	248	139	10x18	40		350	46	2,5	40
CNW 854/400	11	380	190	310	248	154	10x18	40		400	40	4,1	46
CNW 854/500	11	380	210	310	248	184	10x18	40		500	32	7,4	58
CNW 854/600	11	380	210	310	248	184	10x18	40		600	28	7,5	66
CNW 854/700	13	440	200	370	316	170	13x20	50		700	24	8,5	70
CNW 854/800	13	470	260	370	316	190	13x20	50		800	21	12	72
CNW 854/900	13	500	260	420	356	194	13x20	60		900	18	13	75
CNW 854/1000	2 x 13	500	260	420	356	194	13x20	60		1000	16	15	77
CNW 854/1200	2 x 13	500	280	420	356	199	13x20	60		1200	13	16	82

Overload 1,5 x I <sub>nom</sub> 1 min / h	Test voltage L-N 2100 V,DC 1s    L/N-PE 2700 V,DC 1s
	Climatic category DIN IEC 60068-1

Designed by M Gillam	Approved by S Hughes	Approved Date 31.05.05	File Name CNW854 200_1200.AI	Issue Date 11.3.2005	Scale 1:1
REO UK LTD Units 2-4, Callow Hill Road Craven Arms, Shropshire SY7 8NT Tel: 01588 673411 Fax: 01588 672718 email: main@reo.co.uk www.reo.co.uk			Title EMC FILTER TECHNICAL INFORMATION		Sheet 1 of 1
			Drawing Number CNW 854/XX		