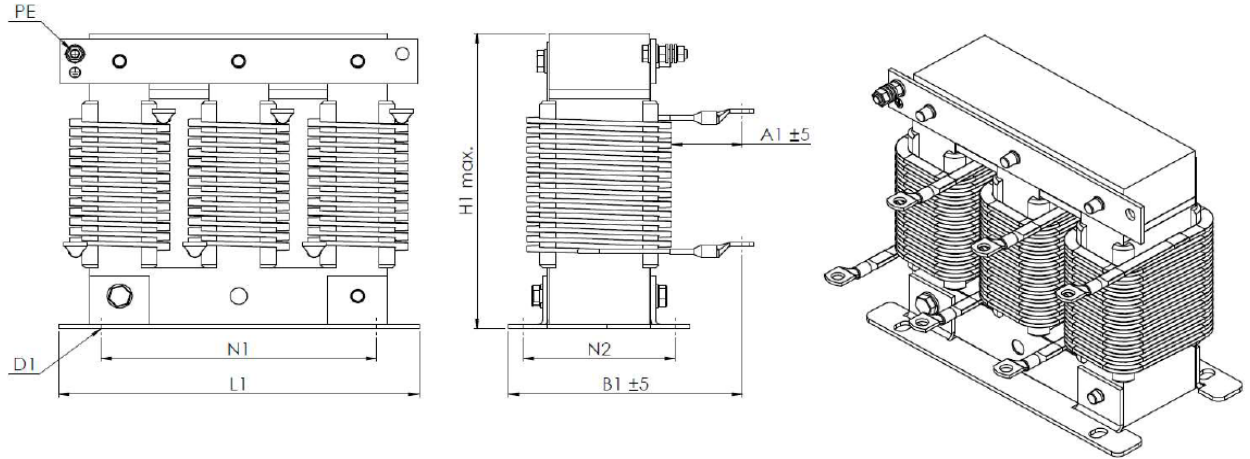




**Dimension drawing:**



all materials according to REO insulation system REO Class 155 (F) REO 155-1 E 251513!

Errors and changes reserved.

**Mechanical Data:**

<b>Length L1</b>	240,0 mm	<b>Fixing space N1</b>	185,0 mm	<b>total weight</b>	17,5 kg
<b>Width B1</b>	150,0 mm	<b>Fixing space N2</b>	95,0 mm	<b>Weight Cu</b>	2,90 kg
<b>Height H1</b>	210,0 mm	<b>Diameter D1</b>	10 x 18 mm	<b>connection</b>	M8
		<b>Length A1</b>	45,0 mm	<b>PE</b>	M8

**Tolerance according to ISO2768-1 Tolerance class c**

**Electrical Data:**

Rated current:	I <sub>eff.</sub>	125 A
Voltage:	U	3x 500 V (50 / 60 Hz)
Inductance:	L	0,235 mH ± 10 %
DC resistance:	R	1,98 mΩ ± 10 %
Voltage drop:		uk 4% @ 400V/50Hz uk 4% @ 480V/60Hz
Power losses:		220,0 W
cooling system		AN
Thermal class:		F @ 40° C Environment
Climate class:		25/085/21 DIN IEC 68 Part 1
Max. Winding temp:		140° C Environment +Δ9
Degree of protection:		IP 00

**Schematic:**



**Tests**

Inductance (mH)	Lo (± 10%)	bei 100Hz , 1V
High voltage	2,5 kV /50 Hz/ 60s	Winding - Winding
	2,5 kV /50 Hz/ 60s	Winding - PE
mechan. dimensions	yes	
Visual inspection	yes	

**Label:**

Designation: REO 3ph-line choke  
 Text 1: N CNW 903 /125/0,235/500/5  
 I[A]: 125  
 U[V]: 500  
 L[mH]: 0,235  
 Text 2: AN  
 Text 3: T40/F  
 Terminal designation: L1 L1' L2 L2' L3 L3'

Bezeichnung	Text 1
REO AG Class 155 (F) REO 155-1 E 251513	
I (A)	U (VDC)
L (mH)	
Text 2	Text 3
Klemmenbezeichnung	
CE	



REO AG Class 155 (F)  
REO 155-1 E 251513

Designation:

**REO 3ph-line choke**  
**N CNW 903 /125/0,235/500/50**

Drawing-Nr.:

**BV 969323.24-00**

Cond.	Date	Name	Amendment
	Date	Name	
signed			Page
revised by	02.06.2020	Scha.	No. off No.
checked	5.6.20	Fr	

