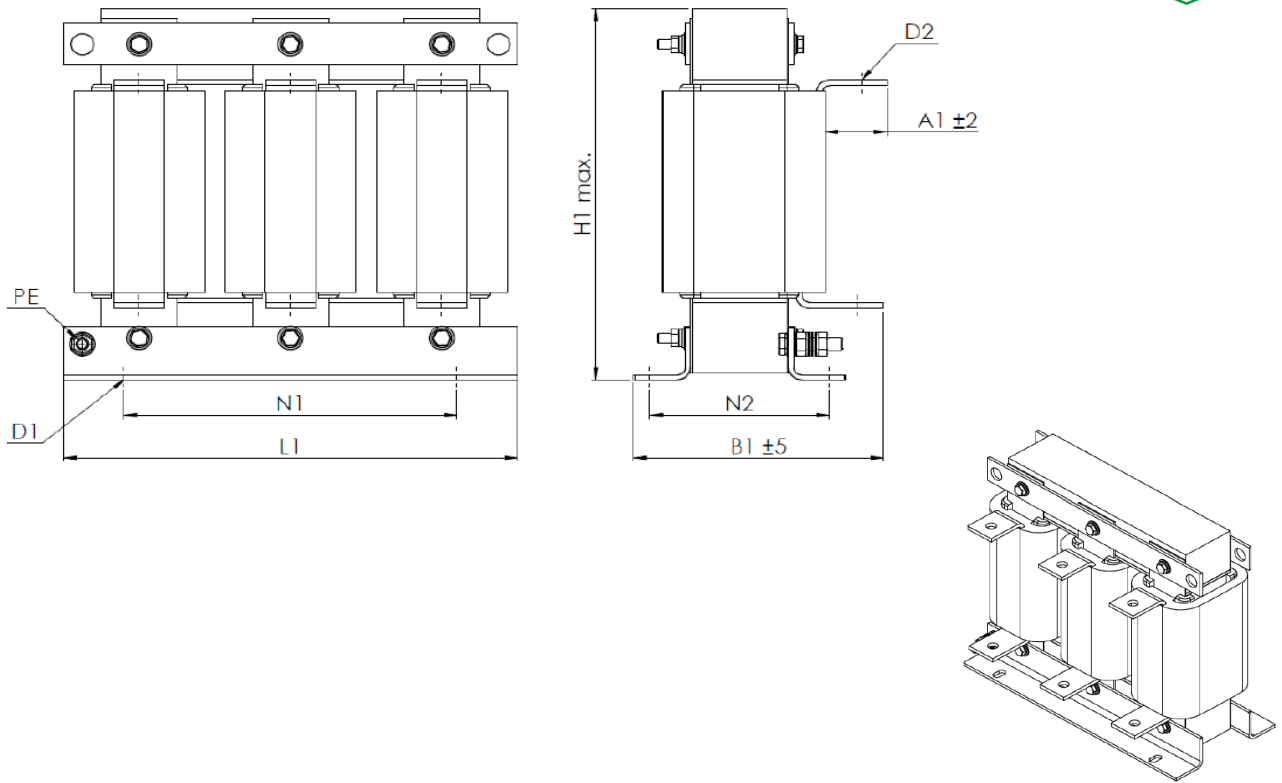




Dimension drawing:



Errors and changes reserved.

Mechanical Data:

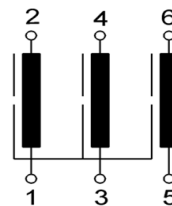
Length L1	300,0 mm	Fixing space N1	224,0 mm	total weight	26,0 kg
Width B1	147,0 mm	Fixing space N2	95,0 mm	Weight Al	3,8 kg
Height H1	270,0 mm	Diameter D1	10 x 18 mm	Weight Cu	1,30 kg
		Diameter D2	ø11 mm		
		Length A1	39,0 mm	connection	30 x 4/ø 11
				PE	M12

Tolerance according to ISO2768-1 Tolerance class c

Electrical Data:

Rated current:	I eff.	200 A	
linear up:		220 A	
Voltage:	U	3x 500 V	(50 / 60 Hz)
Inductance:	L	0,147 mH	± 10 %
DC resistance:	R	0,73mΩ	± 10 %
Voltage drop:		uk 4%	@ 400V/50Hz
		uk 4%	@ 480V/60Hz
Power losses:		187,0 W	
cooling system		AN	
Thermal class:		F	@ 40° C Environment
Climate class:		25/085/21	DIN IEC 68 Part 1
Max. Winding temp:		140° C	Environment +Δ9
Degree of protection:		IP 00	

Schematic:



Tests

Inductance (mH)	Lo (± 10%)	bei 100Hz , 1V
High voltage	2,5 kV /50 Hz/ 60s	Winding - Winding
	2,5 kV /50 Hz/ 60s	Winding - PE
mechan. dimensions	yes	
Visual inspection	yes	

Label:

Designation: REO 3ph-line choke
 Text 1: N CNW 903 /200/0,147/500/50
 I[A]: 200
 U[V]: 500
 L[mH]: 0,147
 Text 2: AN
 Text 3: T40/F
 Terminal designation: 1 2 3 4 5 6

Bezeichnung	Text 1			
I [A]	U [V]	L [mH]		
Text 2	Text 3			
Klemmenbezeichnung				CE
BV:				K 00000 KW/a

Cond.	Date	Name	Amendment
	Date	Name	
signed			Page
revised by	9.5.19	Scha.	No. off. No.
checked	9.5.19	Fr	



Designation: **REO 3ph-line choke**
N CNW 903 /200/0,147/500/50

Drawing-Nr.:

BV 969325.20-00