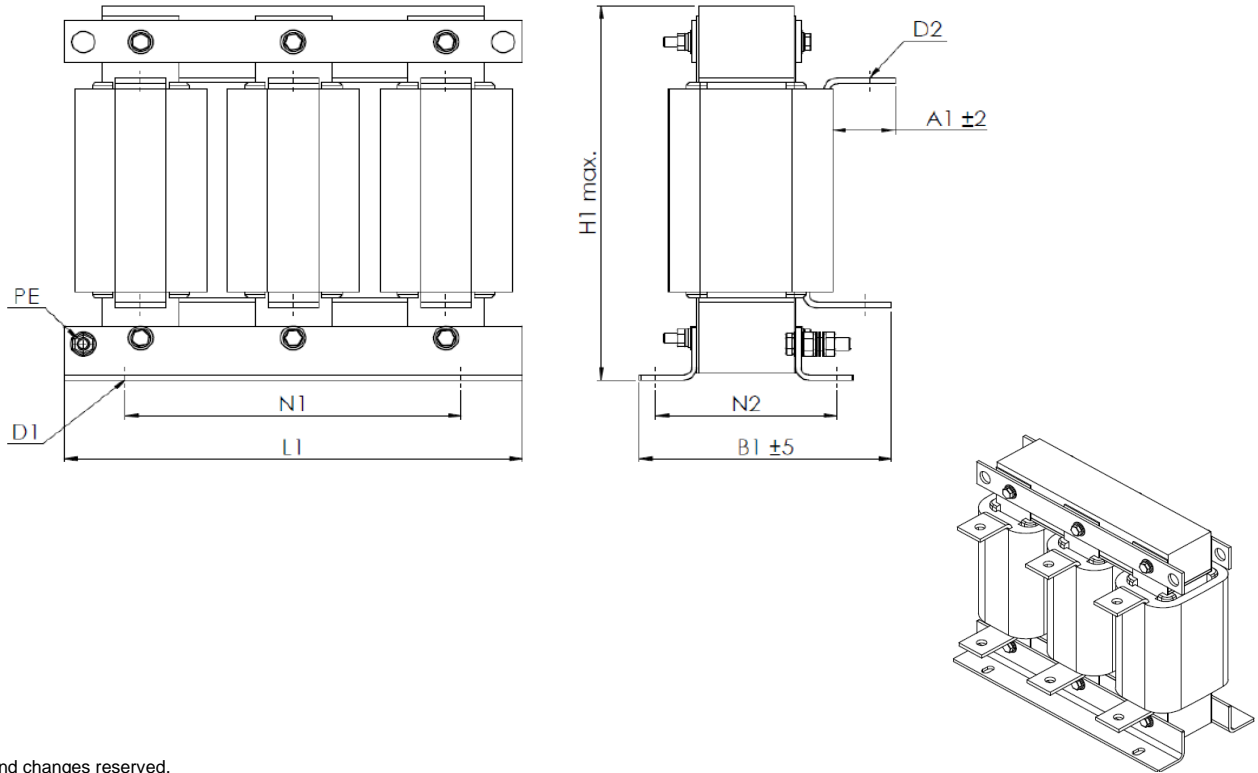




**Dimension drawing:**



Errors and changes reserved.

**Mechanical Data:**

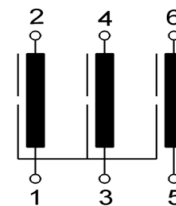
|                  |          |                        |            |                      |             |
|------------------|----------|------------------------|------------|----------------------|-------------|
| <b>Length L1</b> | 300,0 mm | <b>Fixing space N1</b> | 224,0 mm   | <b>total weight</b>  | 38,0 kg     |
| <b>Width B1</b>  | 190,0 mm | <b>Fixing space N2</b> | 125,0 mm   | <b>Weight Al</b>     | 5,3 kg      |
| <b>Height H1</b> | 270,0 mm | <b>Diameter D1</b>     | 10 x 18 mm | <b>Weight Cu</b>     | 1,30 kg     |
|                  |          | <b>Diameter D2</b>     | ø11 mm     | <b>connection Cu</b> | 30 x 4/ø 11 |
|                  |          | <b>Length A1</b>       | 39,0 mm    | <b>PE</b>            | M12         |

**Tolerance according to ISO2768-1 Tolerance class c**

**Electrical Data:**

|                       |                   |           |                     |
|-----------------------|-------------------|-----------|---------------------|
| Rated current:        | I <sub>eff.</sub> | 300 A     |                     |
| linear up:            |                   | 330 A     |                     |
| Voltage:              | U                 | 3x 500 V  | (50 / 60 Hz)        |
| Inductance:           | L                 | 0,098 mH  | ± 10 %              |
| DC resistance:        | R                 | 0,40 mΩ   | ± 10 %              |
| Voltage drop:         |                   | uk 4%     | @ 400V/50Hz         |
|                       |                   | uk 4%     | @ 480V/60Hz         |
| Power losses:         |                   | 250,0 W   |                     |
| cooling system        |                   | AN        |                     |
| Thermal class:        |                   | F         | @ 40° C Environment |
| Climate class:        |                   | 25/085/21 | DIN IEC 68 Part 1   |
| Max. Winding temp:    |                   | 140° C    | Environment +Δ9     |
| Degree of protection: |                   | IP 00     |                     |

**Schematic:**

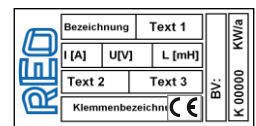


**Tests**

|                    |                    |                   |
|--------------------|--------------------|-------------------|
| Inductance (mH)    | Lo (± 10%)         | bei 100Hz , 1V    |
| High voltage       | 2,5 kV /50 Hz/ 60s | Winding - Winding |
|                    | 2,5 kV /50 Hz/ 60s | Winding - PE      |
| mechan. dimensions | yes                |                   |
| Visual inspection  | yes                |                   |

**Label:**

Designation: REO 3ph-line choke  
 Text 1: N CNW 903 /300/0,098/500/50  
 I[A]: 300  
 U[V]: 500  
 L[mH]: 0,098  
 Text 2: AN  
 Text 3: T40/F  
 Terminal designation: 1 2 3 4 5 6



|            |            |       |                     |
|------------|------------|-------|---------------------|
| without    | 29.06.2021 | Fr    | see amendment sheet |
| without    | 16.04.2020 | Fr    | see amendment sheet |
| Cond.      | Date       | Name  | Amendment           |
|            | Date       | Name  | Page No. off No.    |
| signed     | 13.5.19    | Scha. |                     |
| revised by | 13.5.19    | Bo    |                     |
| checked    | 13.5.19    |       |                     |

Designation: **REO 3ph-line choke**  
**N CNW 903 /300/0,098/500/50**

Drawing-Nr.: **BV 969327.20-00**

