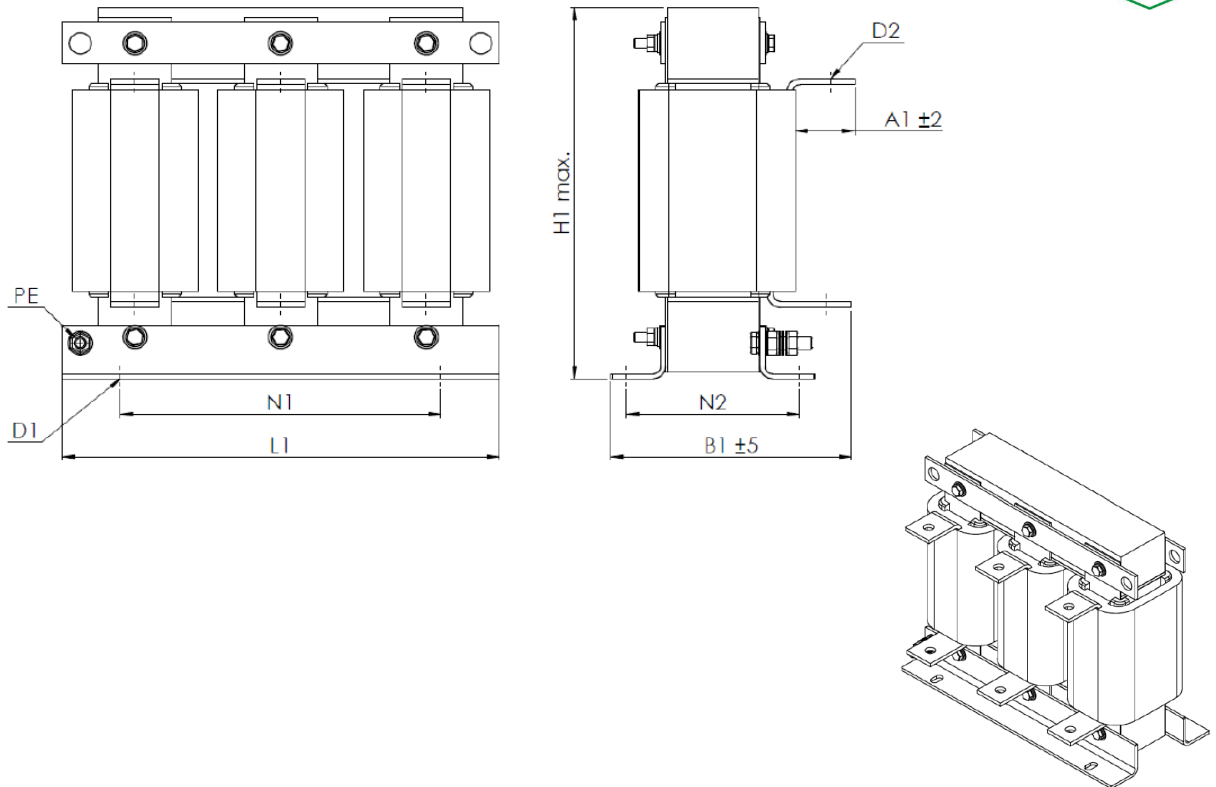




Dimension drawing:



Errors and changes reserved.

Mechanical Data:

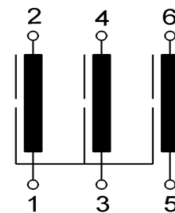
Length L1	340,0 mm	Fixing space N1	248,0 mm	total weight	45,0 kg
Width B1	192,0 mm	Fixing space N2	130,0 mm	Weight Al	5,0 kg
Height H1	305,0 mm	Diameter D1	10 x 18 mm	Weight Cu	2,60 kg
		Diameter D2	ø13 mm	connection	40 x 5/ø 13
		Length A1	49,0 mm	PE	M12

Tolerance according to ISO2768-1 Tolerance class c

Electrical Data:

Rated current:	I eff.	350 A
linear up:		385 A
Voltage:	U	3x 500 V (50 / 60 Hz)
Inductance:	L	0,084 mH ± 10 %
DC resistance:	R	0,305mOhm ± 10 %
Voltage drop:		uk 4% @ 400V/50Hz uk 4% @ 480V/60Hz
Power losses:		267,0 W
cooling system		AN
Thermal class:		F @ 40° C Environment
Climate class:		25/085/21 DIN IEC 68 Part 1
Max. Winding temp:		140° C Environment +Δθ
Degree of protection:		IP 00

Schematic:



Tests

Inductance (mH)	Lo (± 10%)	bei 100Hz , 1V
High voltage	2,5 kV /50 Hz/ 60s	Winding - Winding
	2,5 kV /50 Hz/ 60s	Winding - PE
mechan. dimensions	yes	
Visual inspection	yes	

Label:

Designation: REO 3ph-line choke
 Text 1: N CNW 903 /350/0,084/500/50
 I[A]: 350
 U[V]: 500
 L[mH]: 0,084
 Text 2: AN
 Text 3: T40/F
 Terminal designation: 1 2 3 4 5 6

Bezeichnung	Text 1			
I [A]	U [V]	L [mH]		
Text 2	Text 3			
Klemmenbezeichn				CE
BV:	K 00000	KW/a		

Designation:
REO 3ph-line choke
N CNW 903 /350/0,084/500/50

Cond.	Date	Name	Amendment	
signed			Page	
revised by	08.05.19	Scha.	No. off	No.
checked	10.05.19	F:		



BV 969328.20-00

Drawing-Nr.: