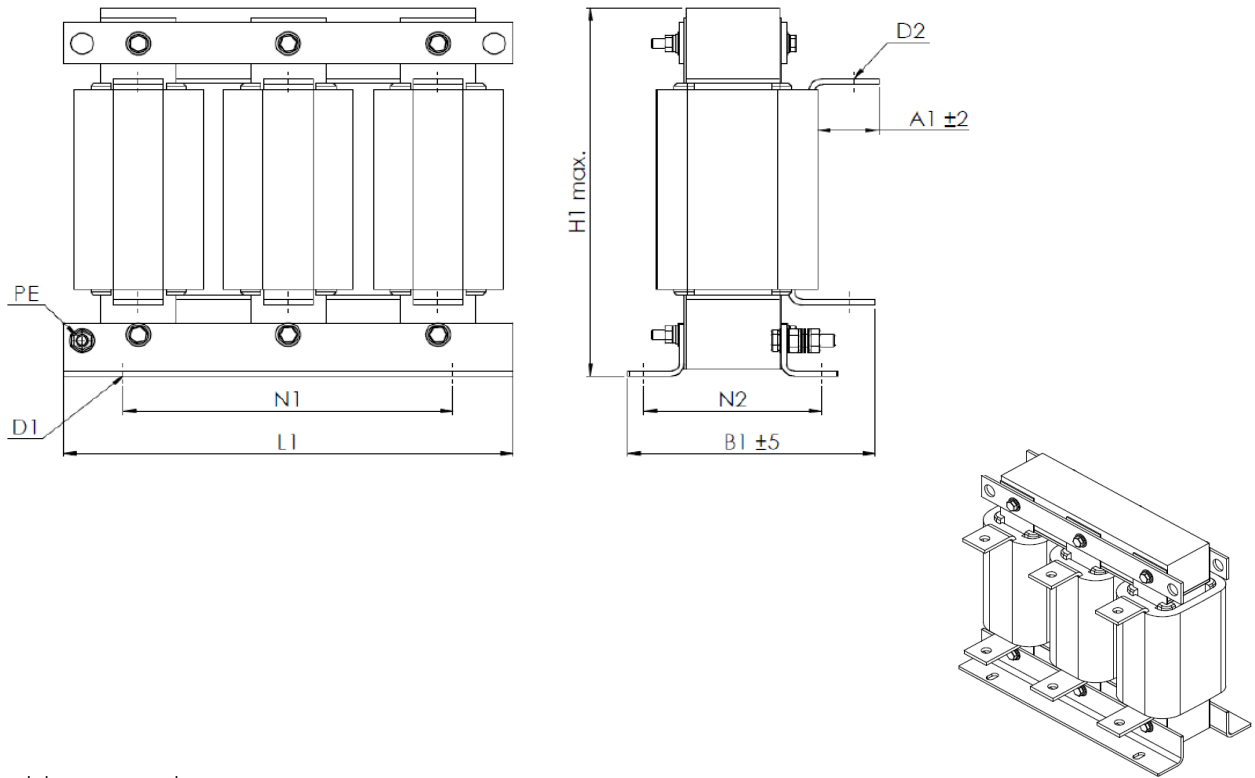




Dimension drawing:



Errors and changes reserved.

Mechanical Data:

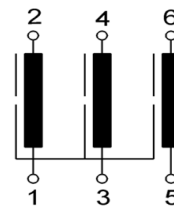
Length L1	360,0 mm	Fixing space N1	264,0 mm	total weight	58,0 kg
Width B1	200,0 mm	Fixing space N2	147,0 mm	Weight Al	7,8 kg
Height H1	345,0 mm	Diameter D1	10 x 18 mm	Weight Cu	2,90 kg
		Diameter D2	ø13 mm		
		Length A1	49,0 mm	connection	40 x 5/ø 13
				connection PE	M12

Tolerance according to ISO2768-1 Tolerance class c

Electrical Data:

Rated current:	I eff.	500 A
linear up:		550 A
Voltage:	U	3x 500 V (50 / 60 Hz)
Inductance:	L	0,059 mH ± 10 %
DC resistance:	R	0,22mΩ ± 10 %
Voltage drop:		uk 4% @ 400V/50 Hz
		uk 4% @ 480V /60 Hz
Power losses:		423,0 W
cooling system		AN
Thermal class:		F @ 40° C Environment
Climate class:		25/085/21 DIN IEC 68 Part 1
Max. Winding temp:		140° C Environment +Δ9
Degree of protection:		IP 00

Schematic:



Tests

Inductance (mH)	Lo (± 10%)	bei 100Hz , 1V
High voltage	2,5 kV /50 Hz/ 60s	Winding - Winding
	2,5 kV /50 Hz/ 60s	Winding - PE
mechan. dimensions	yes	
Visual inspection	yes	

Label:

Designation: REO 3ph-line choke
 Text 1: N CNW 903 /500/0,059/500/50
 I[A]: 500
 U[V]: 500
 L[mH]: 0,059
 Text 2: AN
 Text 3: T40/F
 Terminal designation: 1 2 3 4 5 6

Bezeichnung	Text 1			
I [A]	U [V]	L [mH]		
Text 2	Text 3			
Klemmenbezeichn.				BV: K 00000 KW/a

Cond.	Date	Name	Amendment
	Date	Name	
signed	16.03.20	Scha.	
revised by	20.03.20	Fr.	
checked			

Designation: **REO 3ph-line choke**
N CNW 903 /500/0,059/500/50

Drawing-Nr.: **BV 969330.20-00**