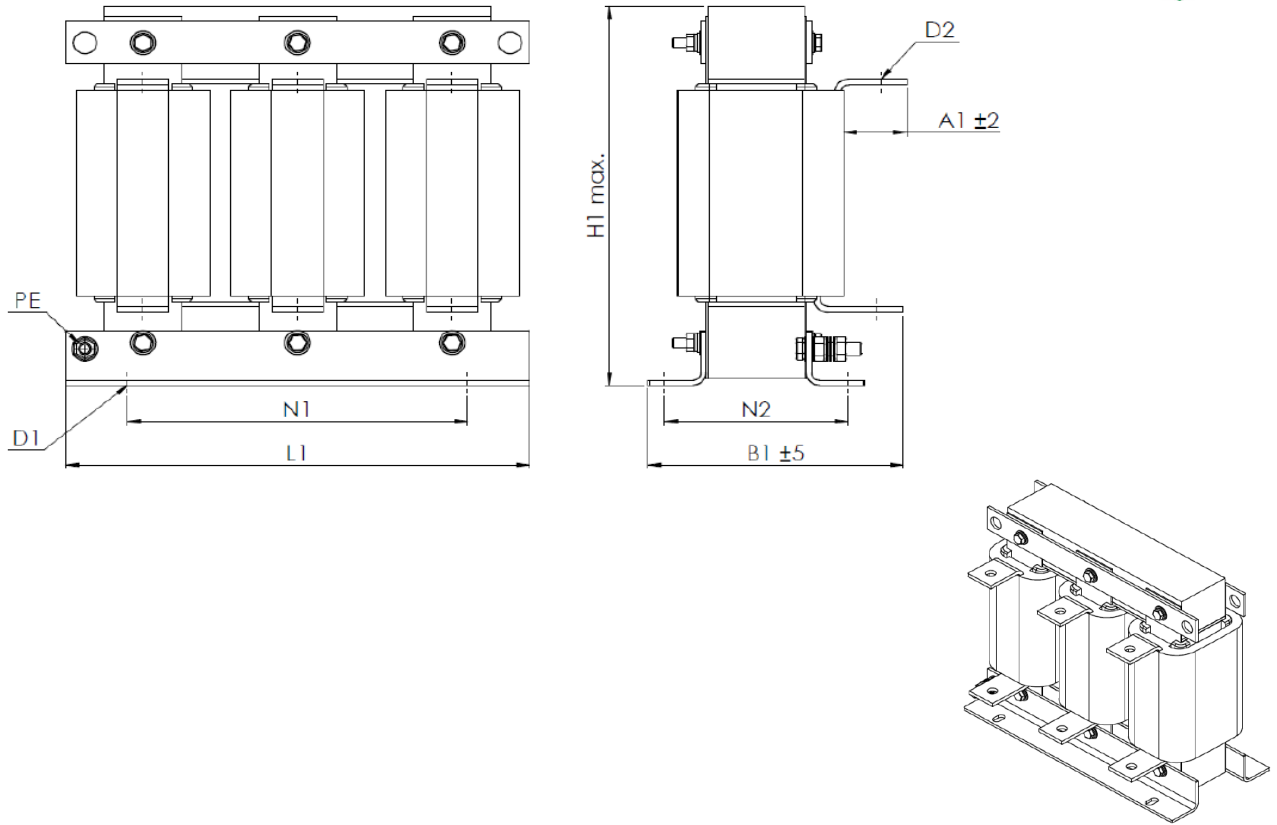




Dimension drawing:



Errors and changes reserved.

Mechanical Data:

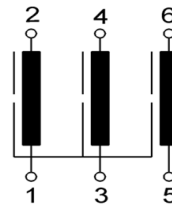
Length L1	360,0 mm	Fixing space N1	264,0 mm	total weight	71,0 kg
Width B1	232,0 mm	Fixing space N2	167,0 mm	Weight Al	6,9 kg
Height H1	340,0 mm	Diameter D1	10 x 18 mm	Weight Cu	5,00 kg
		Diameter D2	ø13 mm		
		Length A1	58,0 mm	connection	40 x 8/ø 13
				PE	M12

Tolerance according to ISO2768-1 Tolerance class c

Electrical Data:

Rated current:	I eff.	600 A	
linear up:		660 A	
Voltage:	U	3x 500 V	(50 / 60 Hz)
Inductance:	L	0,049 mH	± 10 %
DC resistance:	R	0,16mΩ	± 10 %
Voltage drop:		uk 4%	@ 400V/50Hz
		uk 4%	@ 480V/60Hz
Power losses:		450,0 W	
cooling system		AN	
Thermal class:	F		@ 40° C Environment
Climate class:	25/085/21		DIN IEC 68 Part 1
Max. Winding temp:	140° C		Environment +Δθ
Deegree of protection:	IP 00		

Schematic:



Tests

Inductance (mH)	Lo (± 10%)	bei 100Hz , 1V
High voltage	2,5 kV /50 Hz/ 60s	Winding - Winding
	2,5 kV /50 Hz/ 60s	Winding - PE
mechan. dimensions	yes	
Visual inspection	yes	

Label:

Designation: REO 3ph-line choke
 Text 1: N CNW 903 /600/0,049/500/50
 I[A]: 600
 U[V]: 500
 L[mH]: 0,049
 Text 2: AN
 Text 3: T40/F
 Terminal designation: 1 2 3 4 5 6

Bezeichnung	Text 1		BV:	KW/a
	I [A]	U [V]		
Text 2	Text 3		K 00000	CE
Klemmenbezeichnung				

Designation:
REO 3ph-line choke
N CNW 903 /600/0,049/500/50

Cond.	Date	Name	Amendment	
	Date	Name	Page	
signed			No. off	No.
revised by	22.05.19	Scha.		
checked	28.05.19	Fr.		



BV 969331.20-00

Drawing-Nr.: