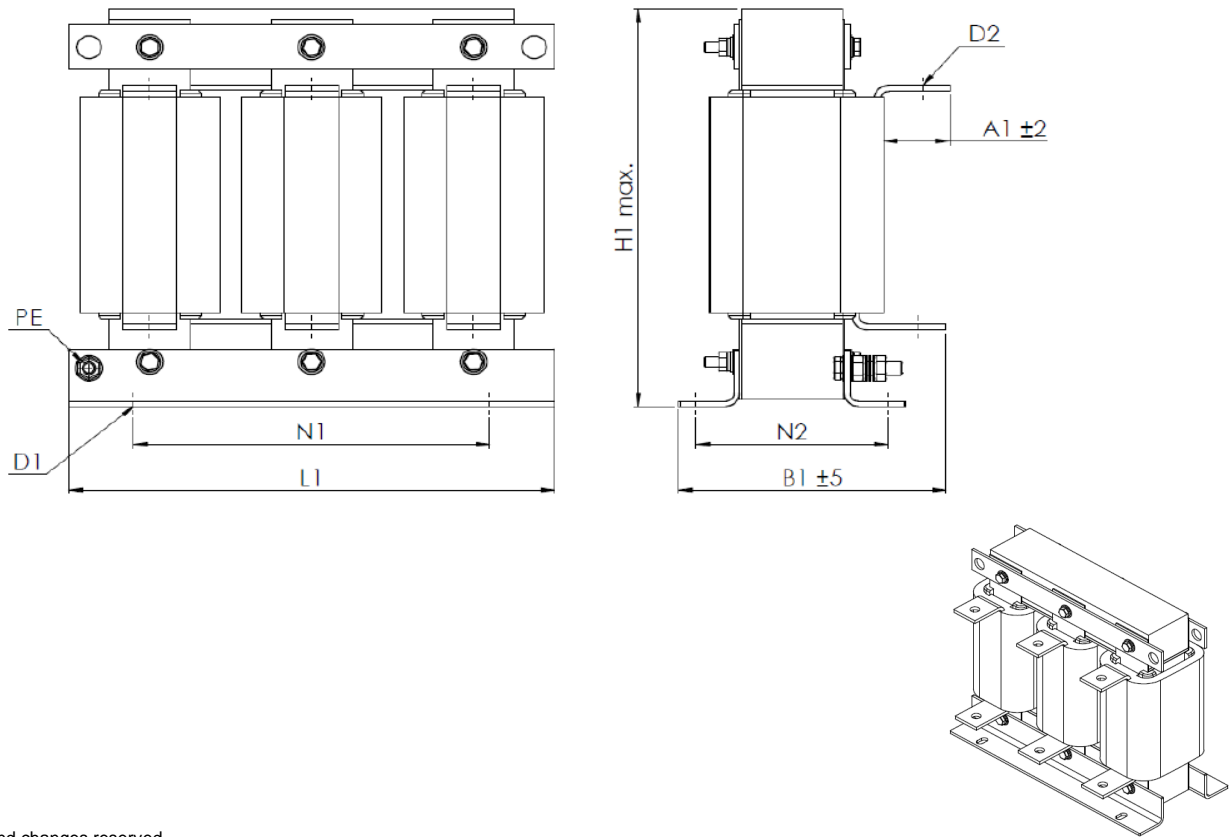




Dimension drawing:



Errors and changes reserved.

Mechanical Data:

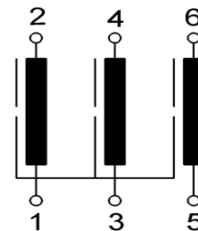
Length L	420,0 mm	Fixing space N1	316,0 mm	total weight	93,0 kg
Width B	240,0 mm	Fixing space N2	174,0 mm	Weight Al	10,5 kg
Height H	370 mm max.	Diameter D1	13 x 20 mm	Weight Cu	5,00 kg
		Diameter D2	ø13 mm		
		Length A1	58,0 mm	connection	40 x 8/ø 13
				connection PE	M12

Tolerance according to ISO2768-1 Tolerance class c

Electrical Data:

Rated current:	I _{eff.}	700 A	
linear up:		770 A	
Voltage:	U	3x 500 V	(50 / 60 Hz)
Inductance:	L	0,042 mH	± 10 %
DC resistance:	R	0,16mΩ	± 10 %
Voltage drop:		uk 4%	@ 400V/50 Hz
		uk 4%	@ 480V /60 Hz
Power losses:		495,0 W	
cooling system		AN	
Thermal class:		F	@ 40° C Environment
Climate class:		25/085/21	DIN IEC 68 Part 1
Max. Winding temp:		140° C	Environment +Δ9
Degree of protection:		IP 00	

Schematic:



Tests

Inductance (mH)	Lo (± 10%)	bei 100Hz , 1V
High voltage	2,5 kV /50 Hz/ 60s	Winding - Winding
	2,5 kV /50 Hz/ 60s	Winding - PE
mechan. dimensions	yes	
Visual inspection	yes	

Label:

Designation: REO 3ph-line choke
 Text 1: N CNW 903 /700/0,042/500/50
 I[A]: 700
 U[V]: 500
 L[mH]: 0,042
 Text 2: AN
 Text 3: T40/F
 Terminal designation: 1 2 3 4 5 6

REO	Bezeichnung	Text 1		BV: K 00000	KW/a
	I [A]	U [V]	L [mH]		
	Text 2	Text 3			
	Klemmenbezeichnung				

Designation: **REO 3ph-line choke**
N CNW 903 /700/0,042/500/50

Cond.	Date	Name	Amendment
	Date	Name	
signed			Page
revised by	09.05.19	Scha.	No. off. No.
checked	21.05.19	FF.	



Drawing-Nr.: **BV 969332.20-00**