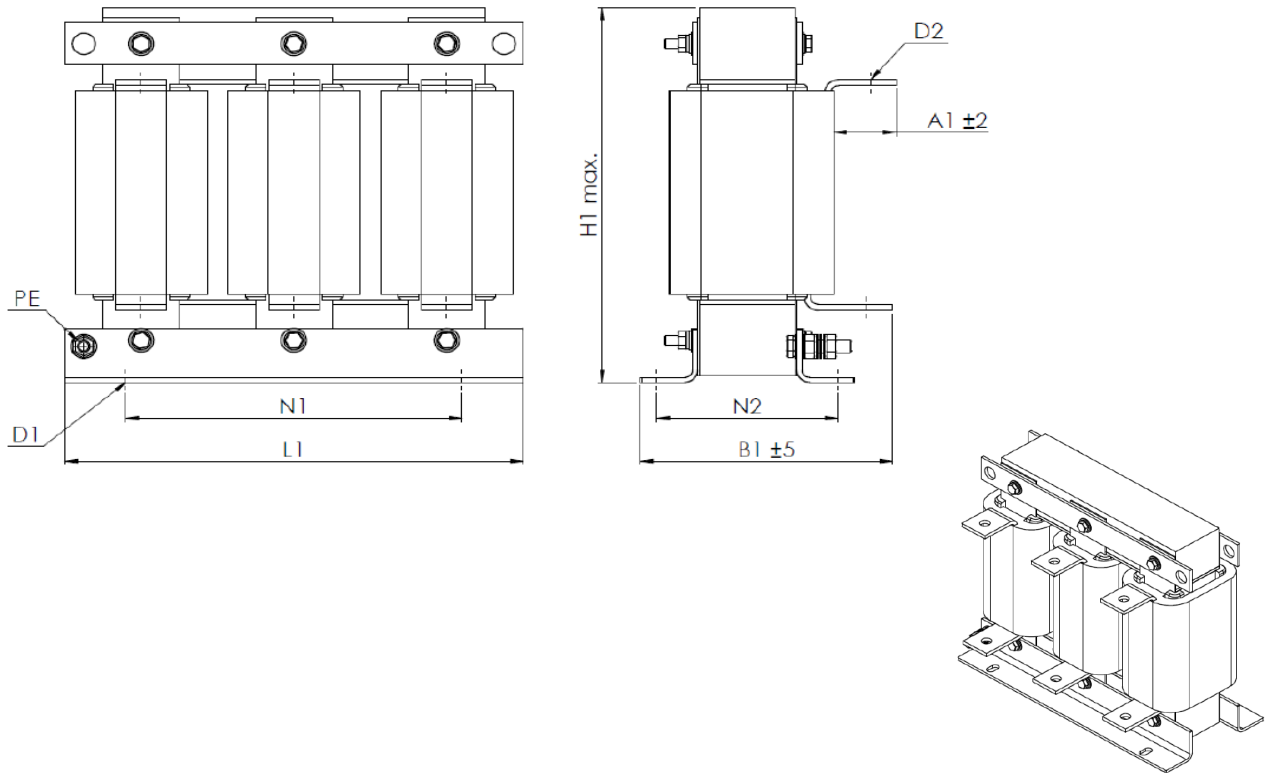




Dimension drawing:



Errors and changes reserved.

Mechanical Data:

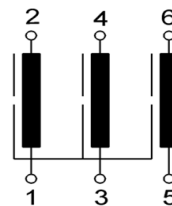
Length L1	420,0 mm	Fixing space N1	316,0 mm	total weight	96,0 kg
Width B1	275,0 mm	Fixing space N2	184,0 mm	Weight Al	8,3 kg
Height H1	380,0 mm	Diameter D1	13 x 20 mm	Weight Cu	5,10 kg
		Diameter D2	2x ø13 mm		
		Length A1	68,0 mm	connection	60 x 5/2x ø 13
				PE	M12

Tolerance according to ISO2768-1 Tolerance class c

Electrical Data:

Rated current:	I eff.	800 A	
linear up:		880 A	
Voltage:	U	3x 500 V	(50 / 60 Hz)
Inductance:	L	0,037 mH	± 10 %
DC resistance:	R	0,1mΩ	± 10 %
Voltage drop:		uk 4%	@ 400V/50Hz
		uk 4%	@ 480V/60Hz
Power losses:		545,0 W	
cooling system		AN	
Thermal class:		F	@ 40° C Environment
Climate class:		25/085/21	DIN IEC 68 Part 1
Max. Winding temp:		140° C	Environment +Δ9
Degree of protection:		IP 00	

Schematic:



Tests

Inductance (mH)	Lo (± 10%)	bei 100Hz , 1V
High voltage	2,5 kV /50 Hz/ 60s	Winding - Winding
	2,5 kV /50 Hz/ 60s	Winding - PE
mechan. dimensions	yes	
Visual inspection	yes	

Label:

Designation: REO 3ph-line choke
 Text 1: N CNW 903 /800/0,037/500/50
 I[A]: 800
 U[V]: 500
 L[mH]: 0,037
 Text 2: AN
 Text 3: T40/F
 Terminal designation: 1 2 3 4 5 6

REO	Bezeichnung	Text 1	BV: K 00000	KW/a	
	I [A]	U [V]			L [mH]
	Text 2	Text 3			Klemmenbezeichnung
			CE		

Cond.	Date	Name	Amendment
	Date	Name	
signed	23.05.19	Scha.	Page
revised by	03.06.19	Fr.	No. off. No.
checked			



Designation: **REO 3ph-line choke**
N CNW 903 /800/0,037/500/50

Drawing-Nr.:

BV 969333.20-00