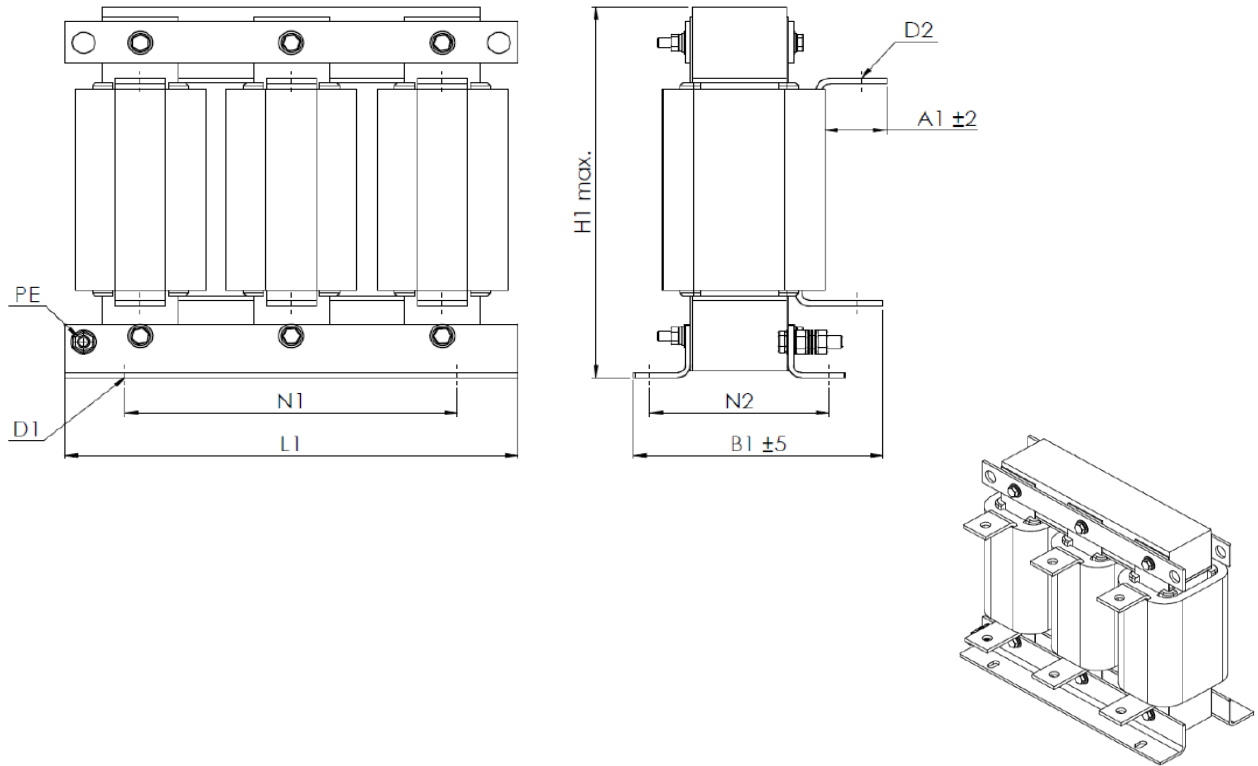




Dimension drawing:



Errors and changes reserved.

Mechanical Data:

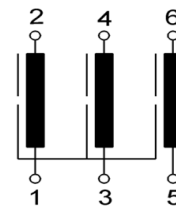
Length L1	480,0 mm	Fixing space N1	356,0 mm	total weight	108,0 kg
Width B1	263,0 mm	Fixing space N2	158,0 mm	Weight Al	10,1 kg
Height H	465,0 mm	Diameter D1	13 x 20 mm	Weight Cu	12,50 kg
		Diameter D2	2x ø13 mm		
		Length A1	78,0 mm	connection	60 x 10/2x ø 13
				PE	M12

Tolerance according to ISO2768-1 Tolerance class c

Electrical Data:

Rated current:	I _{eff.}	900 A
linear up:		990 A
Voltage:	U	3x 500 V (50 / 60 Hz)
Inductance:	L	0,033 mH ± 10 %
DC resistance:	R	0,12 mΩ ± 10 %
Voltage drop:		uk 4% @ 400V/50Hz uk 4% @ 480V/60Hz
Power losses:		655,0 W
cooling system		AN
Thermal class:		F @ 40° C Environment
Climate class:		25/085/21 DIN IEC 68 Part 1
Max. Winding temp:		140° C Environment +Δ9
Degree of protection:		IP 00

Schematic:



Tests

Inductance (mH)	Lo (± 10%)	bei 100Hz , 1V
High voltage	2,5 kV /50 Hz/ 60s	Winding - Winding
	2,5 kV /50 Hz/ 60s	Winding - PE
mechan. dimensions	yes	
Visual inspection	yes	

Label:

Designation: REO 3ph-line choke
 Text 1: N CNW 903 /900/0,033/500/50
 I[A]: 900
 U[V]: 500
 L[mH]: 0,033
 Text 2: AN
 Text 3: T40/F
 Terminal designation: 1 2 3 4 5 6

REO	Bezeichnung	Text 1	BV:	KW/la	
	I [A]	U [V]			L [mH]
	Text 2	Text 3			
Klemmenbezeichn.				K 00000	

Cond.	Date	Name	Amendment
	Date	Name	
signed	09.05.19	Scha.	Page
revised by	22.05.19	Fr.	No. off. No.
checked			

Designation: **REO 3ph-line choke**
N CNW 903 /900/0,033/500/50

Drawing-Nr.:

BV 969334.20-00

