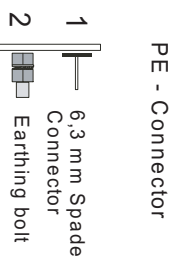
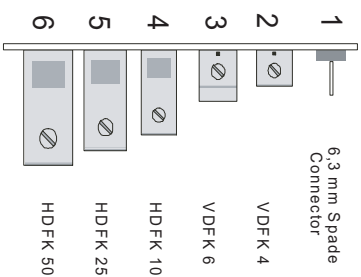
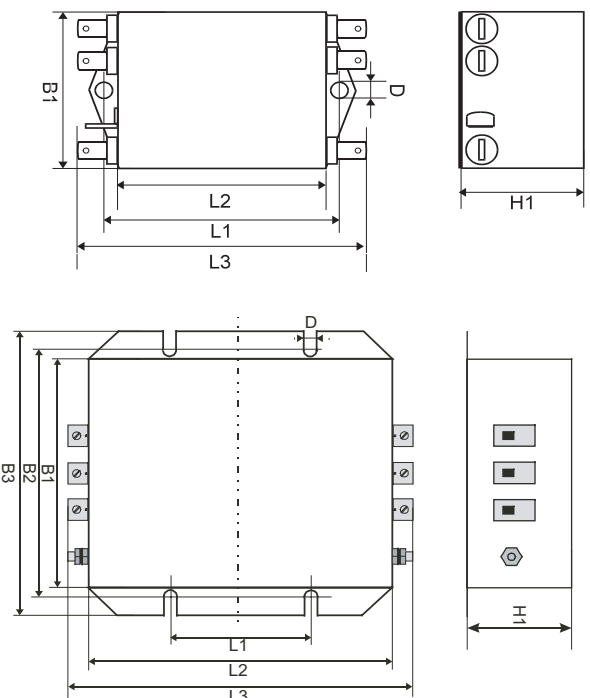
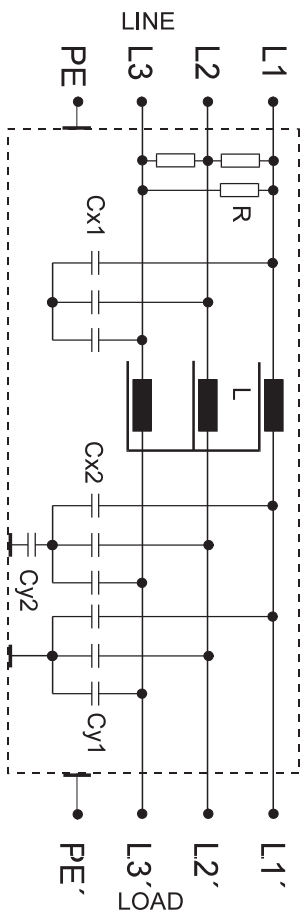


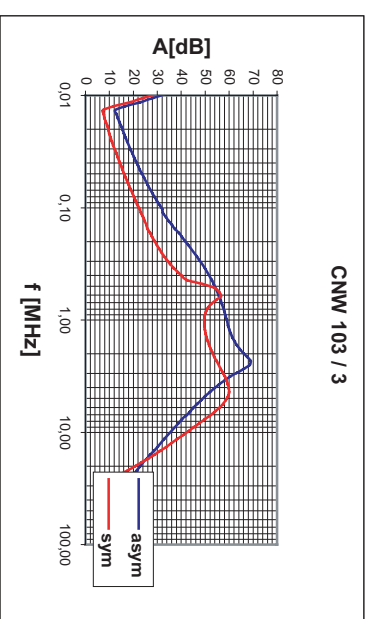
Dimensional Information



Circuit Diagram



Typical Attenuation



Blue graph 50□/50□ asym. Red graph 50□/50□ sym.

Type	Casing	Connection	PE-Connection	B1 [mm]	B2 [mm]	B3 [mm]	D [mm]	H1 [mm]	L1 [mm]	L2 [mm]	L3 [mm]	Rated Voltage [kV]	Rated current [A]	Leakage Current [mA]	%CX [μF]	%CY [nF]	L [mH]	R [kΩ]
CNW 103/3	A	1	1	53	---	---	5.0	40	100	90	118	3 x 3	<3,5	3	30	3	660	
CNW 103/6	A	1	1	53	---	---	5.0	40	100	90	118	3 x 3	<3,5	3	30	2,2	660	
CNW 103/10	A	1	1	53	---	---	5.0	40	100	90	118	3 x 10	<3,5	3	30	1,8	660	
CNW 103/16	B	1	2 (M5)	70	78	98	5,2	70	90	150	170	3 x 16	<7	6	40	1,5	660	
CNW 103/25	B	3	2 (M5)	70	78	98	5,2	70	90	150	170	3 x 25	<7	6	60	1,2	660	
CNW 103/36	B	4	2 (M5)	120	130	148	6,2	70	90	240	290	3 x 36	<7	9	60	0,8	660	
CNW 103/50	B	4	2 (M6)	120	130	148	6,2	70	160	240	290	3 x 50	<7	9	60	0,5	660	
CNW 103/80	B	5	2 (M8)	140	150	168	6,2	110	160	240	320	3 x 80	<16	12	88	0,39	660	
CNW 103/120	B	6	2 (M12)	140	150	168	6,2	110	160	240	320	3 x 120	<16	12	88	0,3	660	
CNW 103/150	B	6	2 (M12)	140	150	168	6,2	110	160	240	320	3 x 150	<16	12	88	0,1	660	

Conforming to	VDE 0565-3/IEC 950/UL 1283	Test voltage	L-N 2100 V.DC 1s	L-N-PE 2700 V.DC 1s
Overload	1,5 x I _{nom} 1 min / h	Climatic category	DIN IEC 60068-1	

Designed by	M Gilliam	Approved by	S Hughes	Approved Date	23.06.09	File Name	CNW/103.AI	Issue Date	23.03.09	Scale	1:1
RECO LTD			RECO UK LTD			Title			EMC FILTER TECHNICAL INFORMATION		
Units: 2-4, Callow Hill Road			Gaven Arms, Shropshire SY7 8NT			Drawing Number			CNW 103/XX		
Tel: 01588 673411			Fax: 01588 672718			email: mail@reco.co.uk			www.reco.co.uk		
Sheet			1 of 1								