

Tachometer Generator

REO444L

RADIO-ENERGIE SAS

41 Route de Nonnes 86100 CHATELLERAULT – FRANCE – Tel : +33 5 49 21 76 22
www.radio-energie.eu - Capital de 300 000 Euros immatriculée au RCS de Poitiers sous n° 829 195 668
SIRET : 829 195 668 00019 - TVA intracommunautaire : FR94829195668 - Code APE 2711Z

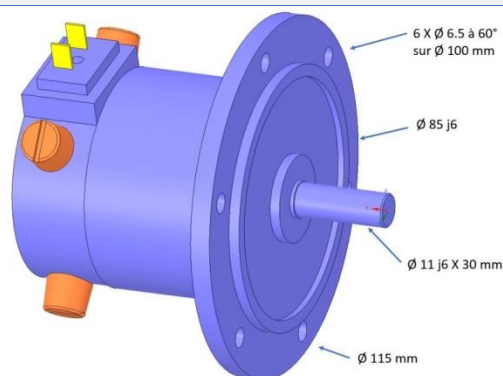
RE.0444 L (Long Life)

Direct Current Tachometer generator



- Destination :**
- Industry
 - Speed control & régulation
- Description :**
- Compact design
 - Good quality signal
 - DIN connector

DIAGRAM



MAIN CHARACTERISTICS

DESIGNATION	SYMB	VALUE
Max. speed	n_m	8 000 rpm
Moment of inertia	J	0.62 Kg cm ²
Np-load driving torque	M_r	0.4 N.cm
Max. radial shaft stress	F	0.4 da N Ø 7 mm 1.0 Ø 11 mm
Maximum E.M.F.	E_m	300 V
Maximum linearity error	ΔE	$\leq 0.15 \% E_T$
Overall ripple rate (peak to peak)	ΔE_c	$\leq 1 \% E_c$
Rotation harmonics (f=2 p.n)	ΔE_p	$\leq 0.3 \% E_c$
Slots harmonics (f=Z.n.)	ΔE_z	$\leq 0.7 \% E_c$
Calibration precision	ΔE_o	+ 1.5 % E_{T_o}
E.M.F. temperature drift		
- Not compensated	ΔE_e	0.03 %/°C
- Compensated		
Time constant	C_t	0.2 ms
*Filter: Time constant		1.0 ms
Load current		3 mA
Speed		3 000 rpm

CONSTRUCTION DETAILS

Number of poles 2p	4
Number of armature slots	33
Number of blades	33
Insulation class	B (IEC 34-1)
Operating temperature	-20 +80 °C
Climatic protection	C _a (IEC 68-1)
Ingress protection	IP44 (IEC 34-5)
Direction of rotation	Reversible
Excitation: Permanent magnets:	SmCo

Weight	1.0 kg
---------------	---------------

MECHANICAL OPTIONS

Bouts d'arbre et roulements

	D (mm)	MOUNGTING SIDE		OPPOSITE MOUNTING SIDE	
		L (mm)	Bearings	Bearings	
Standard	7/11	30	8 x 22 x 7 ZZ / 12 x 28 x 8 ZZ	8 x 22 x 7 ZZ	
Max	14	-	15 x 32 x 9 ZZ	8 x 22 x 7 ZZ	

Various adaptors available for mounting devices on the rear of the tachometer generator



Markings and polarity of terminals (cables) for counter-clockwise rotation, seen from the shaft.

A1 : +
A2 : -

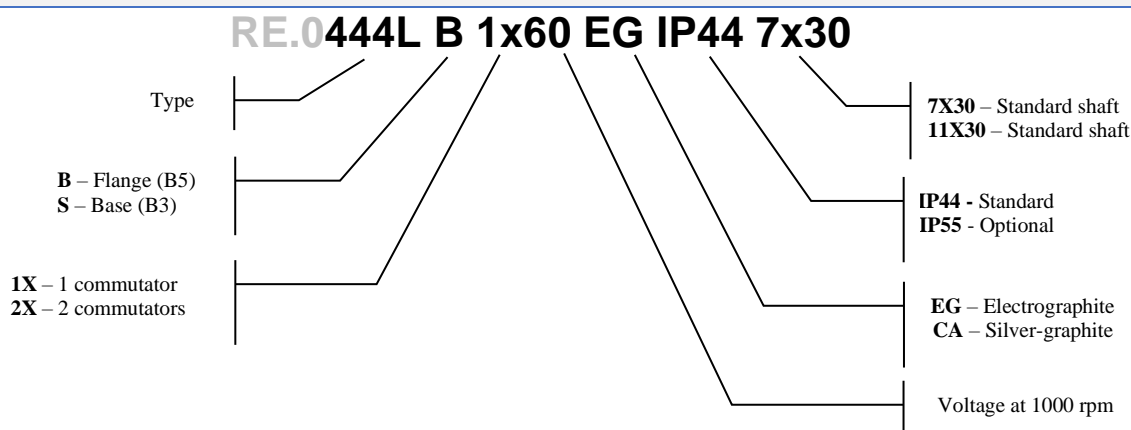
ELECTRICAL OPTIONS

DESCRIPTION	SYMB	UNIT	VALUE Standard
E.M.F at 1 000 rpm	E _n	V	60
Voltage gradient	C _v	V/rpm	0.06
Armature resistance	R _a	Ω	160
Max thermal load	I _{th}	A	0.1
Max. Allowed speed	n _a	rpm	5 000

BRUSHES

GRADE	CODE	APPLICATION LIMITS	DIMENSIONS	NUMBER
EG - Electrographitiques		On request	6 x 4 x 13 mm	4
CA - Carbo-argent		Standard		

PRODUCT DESCRIPTION



When inquiring, please advise the serial number of the tachogenerator to be replaced.

Main Item / Part Number for RE.0444L



OUR CODE	OUR PRODUCT DESCRIPTION	Types	Mounting Type	Charac. at 1000 rpm	Comp.	Brush	IP	Shaft
	RE.0 444 L STANDARD 1x60 V			STANDARD				
0000156	444L B 1X60 CA IP44 11X30	RE.0444 L1	B > Flange	60 V		CA	44	11x30
0000266	444L B 1x60 CA IP44 7X30	RE.0444 L1	B > Flange	60 V		CA	44	7x30
	RE.0 444 L SPECIAL			SPECIAL				
0010128	444L B 1X60 EG IP44 11X30		B > Flange	60 V		EG	44	11X30
0012118	444L B 1X60 CA IP44 11X30L K		B > Flange	60 V		CA	44	11X30
0027220	444L MF RENF 1X20 CA IP44 11X30		MF	20 V		CA	44	11X30
AR47544	444L B 1X60 CA IP44 11X30+Cable 6500mm+friction wheel Diam 75mm	KM616254G04	B > Flange	60 V		CA	44	11x30
AR47545	444L B 1X60 CA IP44 11X30+Cable 4350mm+friction wheel Diam 37,3mm	KM811491G01	B > Flange	60 V		CA	44	11x30
AR47546	444L B 1X60 CA IP44 11X30+Cable 6500mm+friction wheel Diam 37,3mm	KM616254G03	B > Flange	60 V		CA	44	11x30
C4L10S403A60	444L B 1x60 CA IP44 11X30 KONE	KM276027	B > Flange	60 V		CA	44	11x30
C4L10S500A10	444L B 1X10 CA IP44 11X30CP		B > Flange	10 V		CA	44	11X30 CP
EGY 10015	444L B 1x60 CA IP44 11x30L with AR47540 instead of AR47539		B > Flange	60 V		CA	44	11X30
0000170	444L B 1X60 CA IP56 11X30	RE.0444 L1	B > Flange	60 V		CA	56	11x30