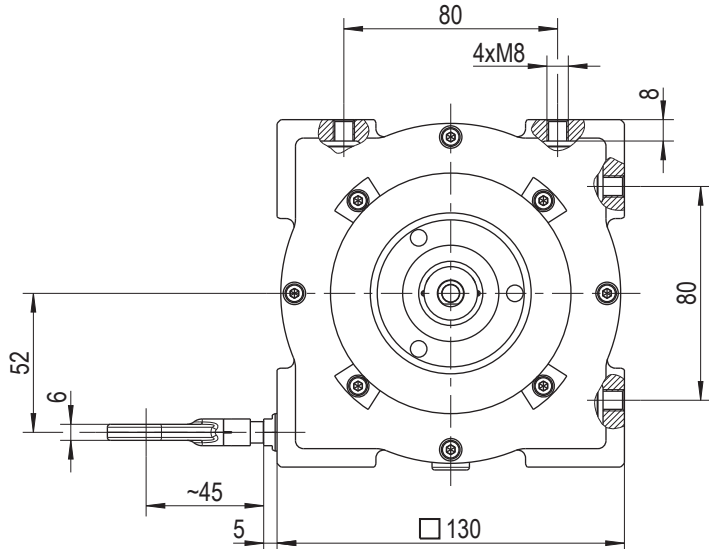
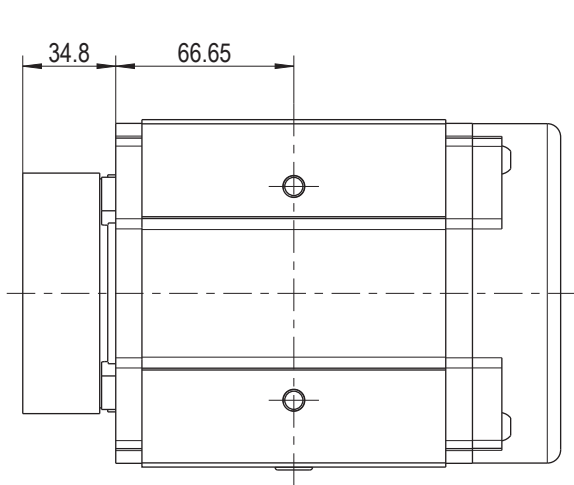


# rope length transmitter of series SL3000 - type: SL3010-XX/GS130/K



**technical details:**

measuring range : 0 - 10m  
max. pull-off length : 10,2m  
casing material : aluminium  
spring casing : plastic (black)

wire diameter : Ø 1,35mm (stainless steel 1.4401)  
circumference of drum : approx. 334,1mm  
absolute accuracy : max. ±6mm  
hysteresis : max. 4mm  
reproducibility : max. 1mm

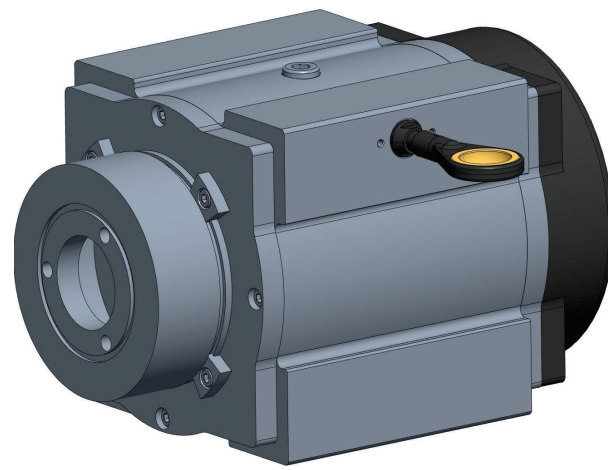
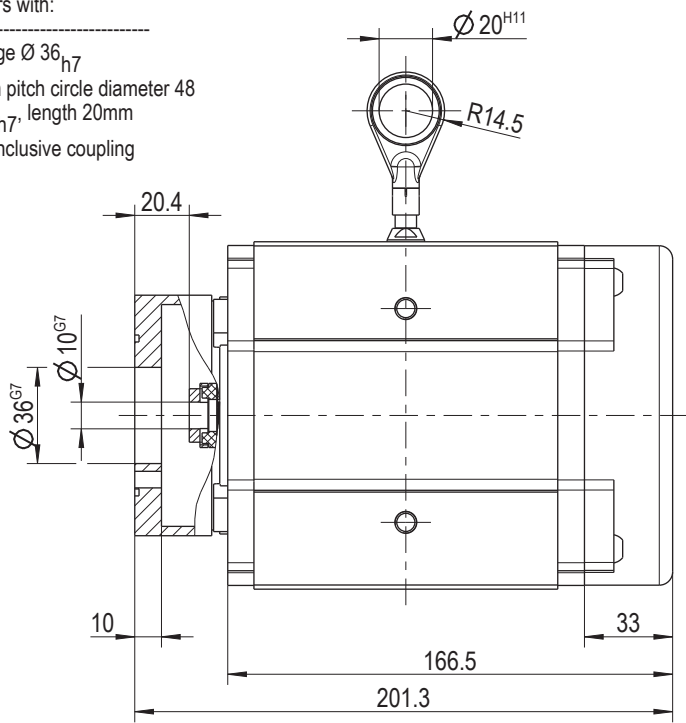
spring return : 1 spring cartridge  
-initial force : 15N  
-ultimate power : 21N

temperature range : -30° ... +70°C  
max. adjustment speed : 4 m/sec  
lifetime (\*) : 1 mio. cycle  
protection class : IP 65  
weight : approx. 3,5kg

(\*) correspond to the application

applicable for adding the encoders with:

- clamp flange Ø 36<sub>h7</sub>
- 3x Ø6,2 on pitch circle diameter 48
- shaft Ø 10<sub>h7</sub>, length 20mm
- shipment inclusive coupling



Diese Unterlage ist unser Eigentum und darf nicht ohne schriftliche Genehmigung von FSG Fernsteuergeräte Mess- und Regeltechnik GmbH weitergegeben werden.

5930Z50-066M041E /0

ID-no.:	FSG-article-no.: 5930Z50-066.041	page 1/1	date	11.11.2020
customer:	file: 5930Z50_066M041E .dwg	M 1:2	signed	C.Dierich
			checked	Henkel