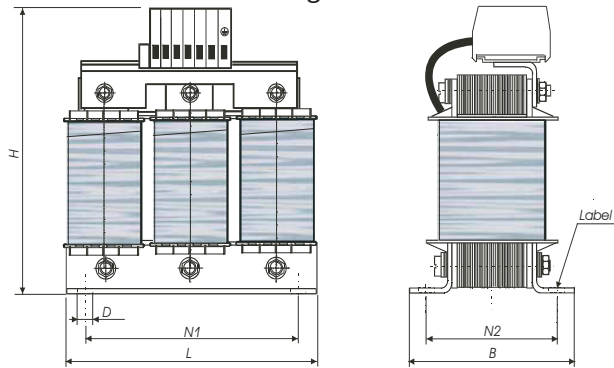


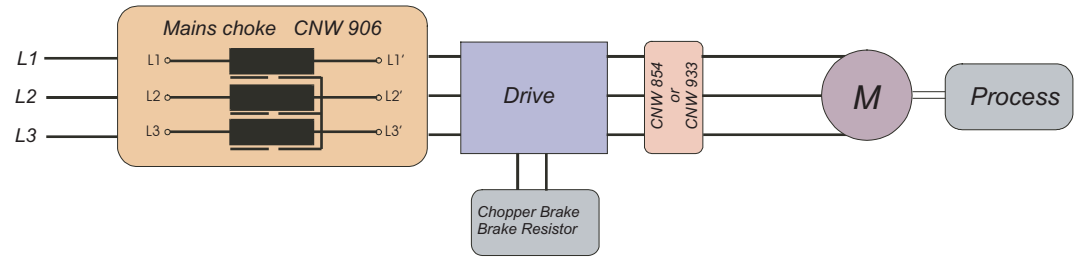
Dimensional Information

LR48
LR120

Image 2



Circuit Diagram



Type	Image	Connection [mm ²]	L [mm]	B [mm]	H [mm]	N1 [mm]	N2 [mm]	∅D [mm]	Rated Voltage [V]	Rated current [A]	Inductance per phase [mH]	Copper [kg]	Weight [kg]
CNW 906/42/ LR48	2	10	95	56	135	56	42	4,8 x 9	3 x 500 V 50/60 Hz	42	0.05	0,45	1.3
CNW 906/96/ LR120	2	35	155	77	200	130	55	8 x 12		96	0.05	1.5	3.7

Overload 1,5 x I _{nom} 1 min / h	Test voltage L-N 2100 V,DC 1s L/N-PE 2700 V,DC 1s
	Climatic category DIN IEC 60068-1

Designed by M Gillam	Approved by S Hughes	Approved Date 02.01.08	File Name CNW906_42_96	Issue Date 25.03.2011	Scale 1:1
REO REO UK LTD Units 2-4, Callow Hill Road Craven Arms, Shropshire SY7 8NT Tel: 01588 673411 Fax: 01588 672718 email: main@reo.co.uk www.reo.co.uk			Title LINE CHOKE TECHNICAL INFORMATION		Sheet 1 of 1
			Drawing Number CNW 906_42_96		