



TEC REFERENCE:

FRD23-B3-60-4

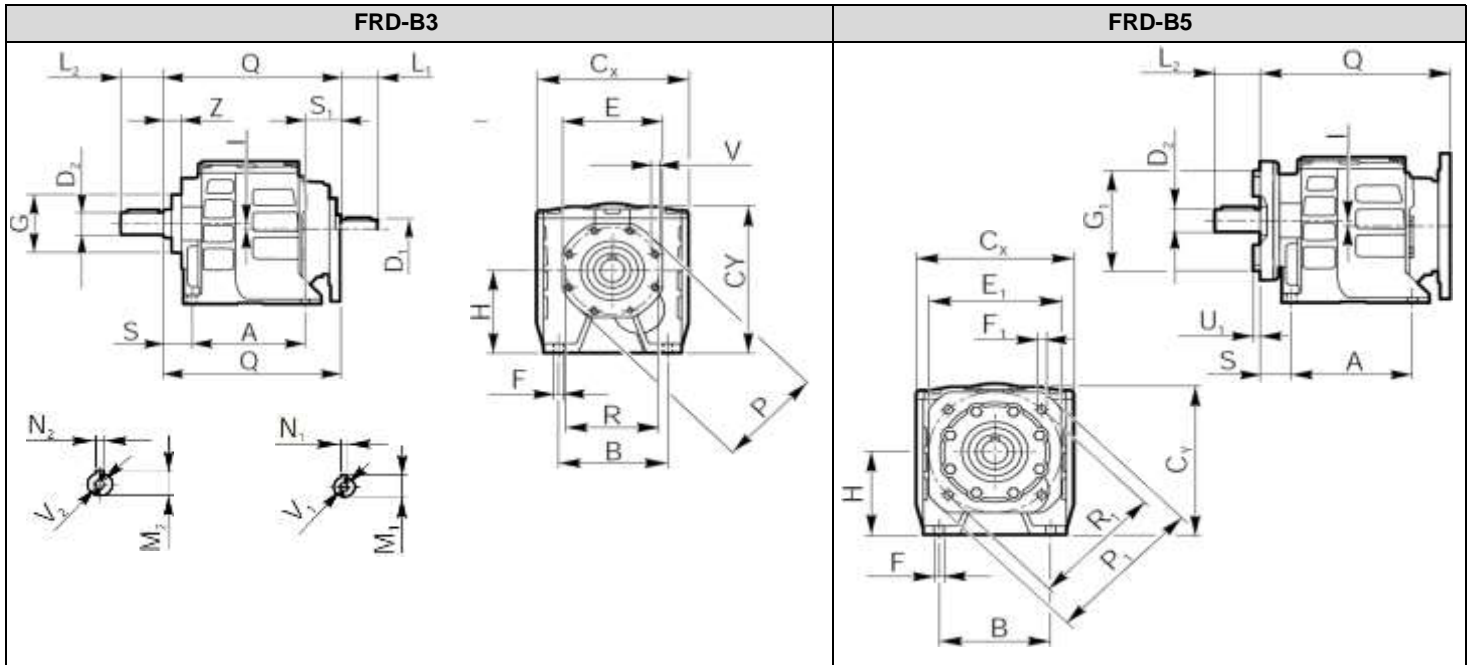
General Data

Size
Nominal Ratio
Exact Ratio
Input Power (kW)
Motor poles
Motor frame
Final Output Speed (RPM)
Output Torque (Nm)
Service Factor
Construction
Weight (kg excluding motor)
Rated Torque (Nm)
Mounting position
Lubrication

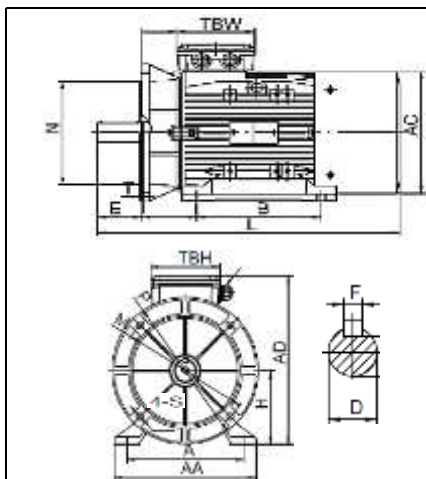
| |
|--|
| FRD23-B3 |
| 60 |
| 64.256 |
| 0.37 |
| 4 |
| 71B14 |
| 21.8 |
| 152 |
| 1.30 |
| Aluminium |
| 8.5 |
| 200 |
| H1 |
| Synthetic long-life oil VG-320 (volume dependant on mounting position) |

Installation Dimensions

FRD23-B3

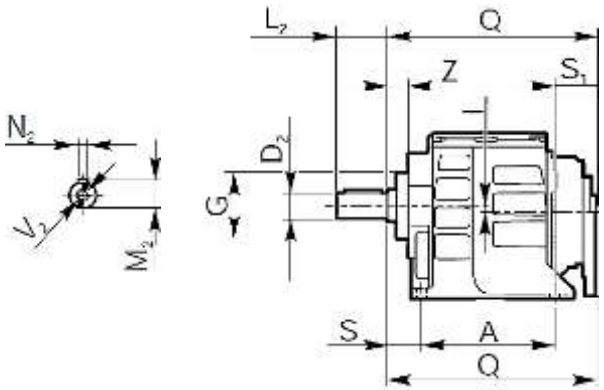
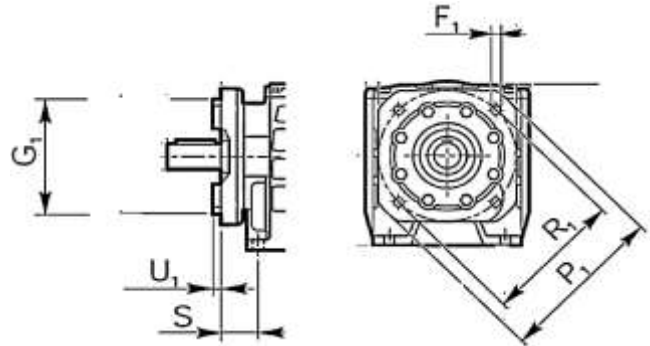


| Size | Overall Dimensions | | | | | | | | | | | | | | | | | | | | | | | | | | | |
|----------|--------------------|-----|--------------|-----|----|--------|-----|----|---|----|-----|------|----|--------|--------|--------|------|-----|---|-----|----|---|----|----|---|----------|-------|-----|
| | A | B | Cy | Cx | D1 | D2 | E | E1 | F | F1 | Gg6 | G1h7 | H | I | L1 | L2 | M1 | | | | | | | | | | | |
| FRD23-B3 | 130 | 110 | 158 | 155 | 19 | 25(30) | 102 | - | 9 | - | 65 | - | 90 | 6 | 40 | 50(60) | 22 | | | | | | | | | | | |
| | M2 | N1 | N2 | P | P1 | Q | R | R1 | S | S1 | U1 | V | V1 | Weight | 28(33) | 6 | 8(8) | 108 | - | 208 | 95 | - | 25 | 53 | - | M6x10(8) | M6x16 | 8.5 |
| | V2 | Z | M6x16(M6x16) | 13 | | | | | | | | | | | | | | | | | | | | | | | | |

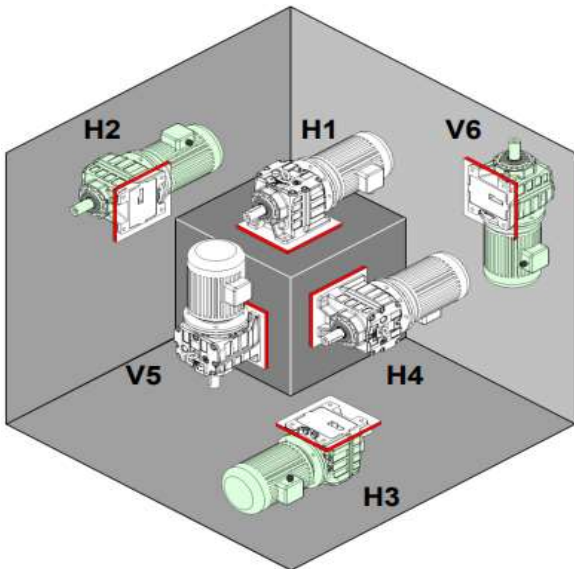


| Ref | Motor Dimensions | | | | | | | | | | | | | | | | |
|--------|------------------|-----|----|-----|-----|-----|-----|-----|-----|----------|-----|---------|-----|-----|-----|-----|-----|
| | D | E | F | P | M | N | S | T | AC | L | A | B | AA | H | AD | TBW | TBH |
| 56B5 | 9 | 20 | 3 | 120 | 100 | 80 | 7 | 3 | 110 | 195 | 90 | 71 | 112 | 56 | 151 | 83 | 83 |
| 63B14 | 11 | 23 | 4 | 90 | 75 | 60 | M5 | 2.5 | 122 | 217 | 100 | 80 | 124 | 63 | 172 | 98 | 98 |
| 63B5 | 11 | 23 | 4 | 140 | 115 | 95 | 10 | 3 | 122 | 217 | 100 | 80 | 124 | 63 | 172 | 98 | 98 |
| 71B14 | 14 | 30 | 6 | 105 | 85 | 70 | M6 | 2.5 | 138 | 245 | 112 | 90 | 140 | 71 | 189 | 98 | 98 |
| 71B5 | 14 | 30 | 6 | 160 | 130 | 110 | 10 | 3.5 | 138 | 245 | 112 | 90 | 140 | 71 | 189 | 98 | 98 |
| 80B14 | 19 | 40 | 8 | 120 | 100 | 80 | M6 | 3 | 157 | 227/304* | 125 | 100 | 160 | 80 | 214 | 109 | 109 |
| 80B5 | 19 | 40 | 8 | 200 | 165 | 130 | 12 | 3.5 | 157 | 227/304* | 125 | 100 | 160 | 80 | 214 | 109 | 109 |
| 90B14 | 24 | 50 | 8 | 140 | 115 | 95 | M8 | 3 | 177 | 315/340 | 140 | 100/125 | 176 | 90 | 235 | 109 | 109 |
| 90B5 | 24 | 50 | 8 | 200 | 165 | 130 | 12 | 3.5 | 177 | 315/340 | 140 | 100/125 | 176 | 90 | 235 | 109 | 109 |
| 100B14 | 28 | 60 | 8 | 160 | 130 | 110 | M8 | 3.5 | 199 | 376/411* | 160 | 140 | 200 | 100 | 260 | 118 | 118 |
| 100B5 | 28 | 60 | 8 | 250 | 215 | 180 | 15 | 4 | 199 | 376/411* | 160 | 140 | 200 | 100 | 260 | 118 | 118 |
| 112B14 | 28 | 60 | 8 | 160 | 130 | 110 | M8 | 3.5 | 220 | 398 | 190 | 140 | 224 | 112 | 283 | 118 | 118 |
| 112B5 | 28 | 60 | 8 | 250 | 215 | 180 | 15 | 4 | 220 | 398 | 190 | 140 | 224 | 112 | 283 | 118 | 118 |
| 132B14 | 38 | 80 | 10 | 200 | 165 | 130 | M10 | 3.5 | 261 | 460/498 | 216 | 140/178 | 269 | 132 | 323 | 118 | 118 |
| 132B5 | 38 | 80 | 10 | 300 | 265 | 230 | 15 | 4 | 261 | 460/498 | 216 | 140/178 | 260 | 132 | 323 | 118 | 118 |
| 160B14 | 42 | 110 | 12 | 250 | 215 | 180 | M12 | 5 | 313 | 605/650 | 254 | 210/254 | 316 | 160 | 404 | 162 | 187 |
| 160B5 | 42 | 110 | 12 | 350 | 300 | 250 | 19 | 5 | 313 | 605/650 | 254 | 210/254 | 316 | 160 | 404 | 162 | 187 |
| 180B5 | 48 | 110 | 14 | 350 | 300 | 250 | 19 | 5 | 360 | 687/725 | 279 | 241/279 | 354 | 180 | 445 | 162 | 187 |

*please check the available inputs for this model with the TEC team

Options dimensions
Output shaft

Output flange


| Size | D2 | F1 | G1 | L2 | M2 | N2 | P1 | R1 | S | U1 | V2 |
|----------|----|----|----|----|----|----|----|----|----|----|-------|
| FRD23-B3 | 30 | - | - | 60 | 33 | 8 | - | - | 25 | - | M6x16 |

Mounting positions

Quantity of oil in litres

| Size | H1 | H2 | H3 | H4 | V5 | V6 |
|-------|------|------|------|------|-------|-------|
| FRD02 | 0.20 | 0.20 | 0.20 | 0.20 | 0.28 | 0.28 |
| FRD03 | 0.30 | 0.30 | 0.30 | 0.30 | 0.38 | 0.38 |
| FRD12 | 0.50 | 0.50 | 0.50 | 0.50 | 0.70 | 0.70 |
| FRD13 | 0.50 | 0.50 | 0.50 | 0.50 | 0.70 | 0.70 |
| FRD22 | 0.80 | 0.80 | 0.80 | 0.80 | 1.00 | 1.00 |
| FRD23 | 0.80 | 0.80 | 0.80 | 0.80 | 1.00 | 1.00 |
| FRD32 | 1.30 | 1.30 | 1.30 | 1.30 | 1.80 | 1.80 |
| FRD33 | 1.60 | 1.60 | 1.60 | 1.60 | 2.10 | 2.10 |
| FRD42 | 2.20 | 2.20 | 2.20 | 2.20 | 3.00 | 3.00 |
| FRD43 | 2.20 | 2.20 | 2.20 | 2.20 | 3.40 | 3.40 |
| FRD52 | 4.50 | 4.50 | 4.50 | 4.50 | 5.50 | 5.50 |
| FRD53 | 4.50 | 4.50 | 4.50 | 4.50 | 6.50 | 6.50 |
| FRD62 | 7.00 | 7.00 | 7.00 | 7.00 | 9.00 | 9.00 |
| FRD63 | 7.00 | 7.00 | 7.00 | 7.00 | 11.00 | 11.00 |

Main assembly codes

| Input coupling F | Input flange A | Output flange D | Input 2 stage B | Input Gears 3 stage E | Output stage C | Input 3 stage G |
|------------------|----------------|-----------------|-----------------|-----------------------|-------------------|-----------------|
| KG6.XXX | K533.206.XXX | N/A | KRD23E039G5-AL | KRD2I039 | KRD2U04125(30)-AL | N/A |

