



TEC REFERENCE:

FRD53-B3-60-4

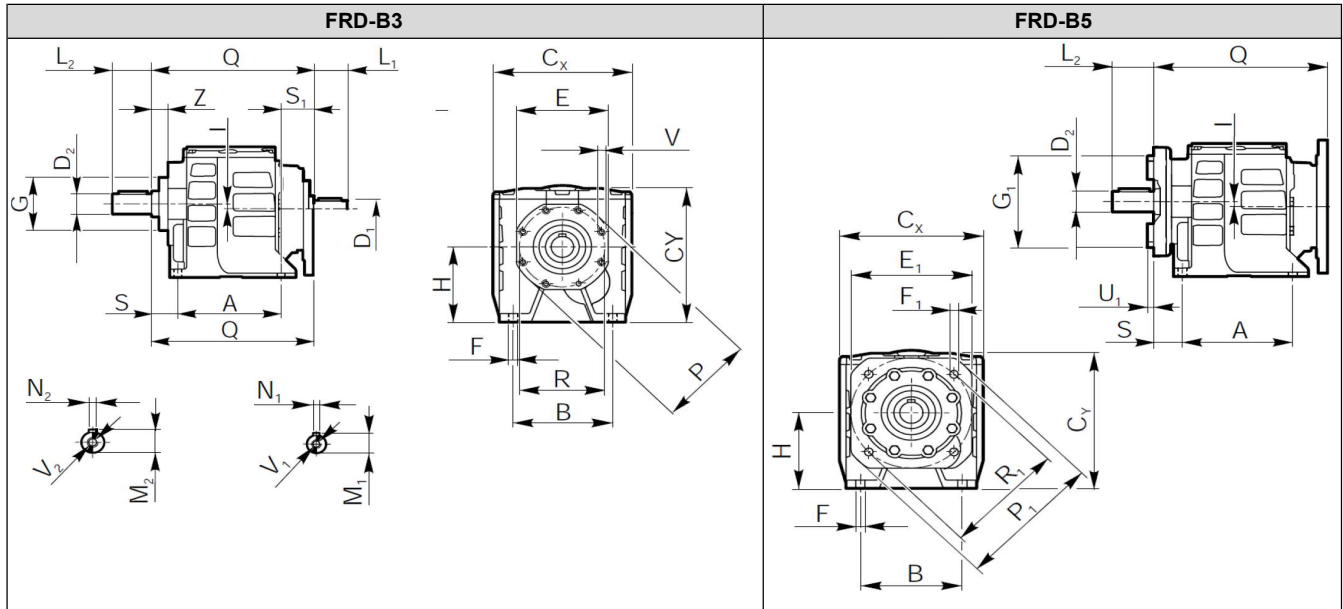
General Data

Size
 Nominal Ratio
 Exact Ratio
 Input Power (kW)
 Motor poles
 Motor frame
 Final Output Speed (RPM)
 Output Torque (Nm)
 Service Factor
 Construction
 Weight (kg excluding motor)
 Rated Torque (Nm)
 Mounting position
 Lubrication

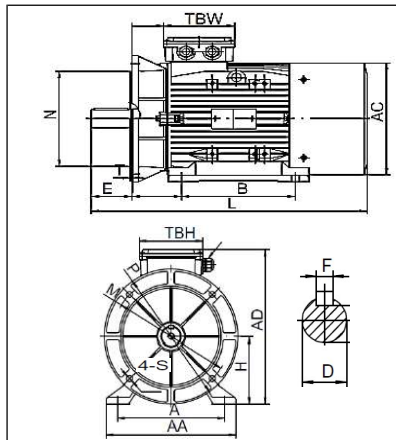
| |
|--|
| FRD53-B3 |
| 60 |
| 59.878 |
| 3.00 |
| 4 |
| 100B14 |
| 24.2 |
| 1112 |
| 1.20 |
| Cast iron |
| 52.0 |
| 1290 |
| H1 |
| Synthetic long-life oil VG-320 (volume dependant on mounting position) |

Installation Dimensions

FRD53-B3

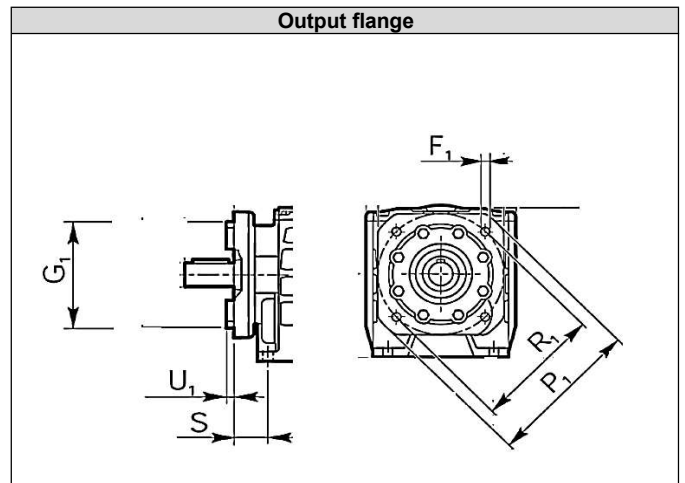
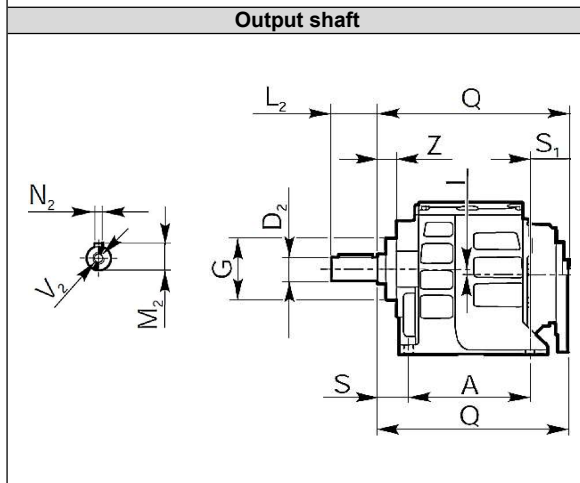


| Size | Overall Dimensions | | | | | | | | | | | | | | | | |
|----------|--------------------|-----|--------|-----|----|----------|-----|----|----|--------|-----|------|-----------|--------|------|---------|----|
| | A | B | Cy | Cx | D1 | D2 | E | E1 | F | F1 | Gg6 | G1h7 | H | I | L1 | L2 | M1 |
| FRD53-B3 | 205 | 170 | 255 | 284 | 38 | 40(50) | 180 | - | 18 | - | 130 | - | 140 | 0 | 80 | 80(100) | 41 |
| | M2 | N1 | N2 | P | P1 | Q | R | R1 | S | S1 | U1 | V | V1 | Weight | | | |
| | 43(53.5) | 10 | 12(14) | 190 | - | 353(367) | 165 | - | - | 35(49) | 82 | - | M10x25(8) | M12x28 | 52.0 | | |
| | V2 | Z | | | | | | | | | | | | | | | |
| | M12x28(M16x36) | 15 | | | | | | | | | | | | | | | |

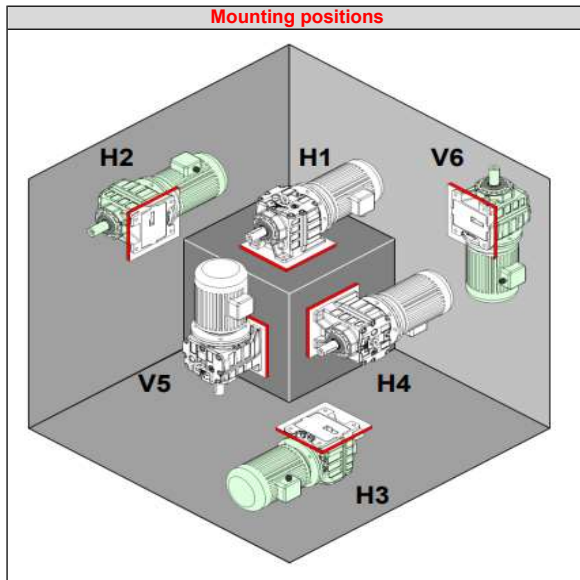


| Ref | Motor Dimensions | | | | | | | | | | | | | | | | |
|--------|------------------|-----|----|-----|-----|-----|-----|-----|-----|----------|-----|---------|-----|-----|-----|-----|-----|
| | D | E | F | P | M | N | S | T | AC | L | A | B | AA | H | AD | TBW | TBH |
| 56B5 | 9 | 20 | 3 | 120 | 100 | 80 | 7 | 3 | 110 | 195 | 90 | 71 | 112 | 56 | 151 | 83 | 83 |
| 63B14 | 11 | 23 | 4 | 90 | 75 | 60 | M5 | 2.5 | 122 | 217 | 100 | 80 | 124 | 63 | 172 | 98 | 98 |
| 63B5 | 11 | 23 | 4 | 140 | 115 | 95 | 10 | 3 | 122 | 217 | 100 | 80 | 124 | 63 | 172 | 98 | 98 |
| 71B14 | 14 | 30 | 6 | 105 | 85 | 70 | M6 | 2.5 | 138 | 245 | 112 | 90 | 140 | 71 | 189 | 98 | 98 |
| 71B5 | 14 | 30 | 6 | 160 | 130 | 110 | 10 | 3.5 | 138 | 245 | 112 | 90 | 140 | 71 | 189 | 98 | 98 |
| 80B14 | 19 | 40 | 8 | 120 | 100 | 80 | M6 | 3 | 157 | 227/304* | 125 | 100 | 160 | 80 | 214 | 109 | 109 |
| 80B5 | 19 | 40 | 8 | 200 | 165 | 130 | 12 | 3.5 | 157 | 227/304* | 125 | 100 | 160 | 80 | 214 | 109 | 109 |
| 90B14 | 24 | 50 | 8 | 140 | 115 | 95 | M8 | 3 | 177 | 315/340 | 140 | 100/125 | 176 | 90 | 235 | 109 | 109 |
| 90B5 | 24 | 50 | 8 | 200 | 165 | 130 | 12 | 3.5 | 177 | 315/340 | 140 | 100/125 | 176 | 90 | 235 | 109 | 109 |
| 100B14 | 28 | 60 | 8 | 160 | 130 | 110 | M8 | 3.5 | 199 | 376/411* | 160 | 140 | 200 | 100 | 260 | 118 | 118 |
| 100B5 | 28 | 60 | 8 | 250 | 215 | 180 | 15 | 4 | 199 | 376/411* | 160 | 140 | 200 | 100 | 260 | 118 | 118 |
| 112B14 | 28 | 60 | 8 | 160 | 130 | 110 | M8 | 3.5 | 220 | 398 | 190 | 140 | 224 | 112 | 283 | 118 | 118 |
| 112B5 | 28 | 60 | 8 | 250 | 215 | 180 | 15 | 4 | 220 | 398 | 190 | 140 | 224 | 112 | 283 | 118 | 118 |
| 132B14 | 38 | 80 | 10 | 200 | 165 | 130 | M10 | 3.5 | 261 | 460/498 | 216 | 140/178 | 269 | 132 | 323 | 118 | 118 |
| 132B5 | 38 | 80 | 10 | 300 | 265 | 230 | 15 | 4 | 261 | 460/498 | 216 | 140/178 | 260 | 132 | 323 | 118 | 118 |
| 160B14 | 42 | 110 | 12 | 250 | 215 | 180 | M12 | 5 | 313 | 605/650 | 254 | 210/254 | 316 | 160 | 404 | 162 | 187 |
| 160B5 | 42 | 110 | 12 | 350 | 300 | 250 | 19 | 5 | 313 | 605/650 | 254 | 210/254 | 316 | 160 | 404 | 162 | 187 |
| 180B5 | 48 | 110 | 14 | 350 | 300 | 250 | 19 | 5 | 360 | 687/725 | 279 | 241/279 | 354 | 180 | 445 | 162 | 187 |

*please check the available inputs for this model with the TEC team

Options dimensions


| Size | D2 | F1 | G1 | L2 | M2 | N2 | P1 | R1 | S | U1 | V2 |
|----------|----|----|----|-----|------|----|----|----|--------|----|--------|
| FRD53-B3 | 50 | - | - | 100 | 53.5 | 14 | - | - | 35(49) | - | M16x36 |

Mounting positions

Quantity of oil in litres

| Size | H1 | H2 | H3 | H4 | V5 | V6 |
|-------|------|------|------|------|-------|-------|
| FRD02 | 0.20 | 0.20 | 0.20 | 0.20 | 0.28 | 0.28 |
| FRD03 | 0.30 | 0.30 | 0.30 | 0.30 | 0.38 | 0.38 |
| FRD12 | 0.50 | 0.50 | 0.50 | 0.50 | 0.70 | 0.70 |
| FRD13 | 0.50 | 0.50 | 0.50 | 0.50 | 0.70 | 0.70 |
| FRD22 | 0.80 | 0.80 | 0.80 | 0.80 | 1.00 | 1.00 |
| FRD23 | 0.80 | 0.80 | 0.80 | 0.80 | 1.00 | 1.00 |
| FRD32 | 1.30 | 1.30 | 1.30 | 1.30 | 1.80 | 1.80 |
| FRD33 | 1.60 | 1.60 | 1.60 | 1.60 | 2.10 | 2.10 |
| FRD42 | 2.20 | 2.20 | 2.20 | 2.20 | 3.00 | 3.00 |
| FRD43 | 2.20 | 2.20 | 2.20 | 2.20 | 3.40 | 3.40 |
| FRD52 | 4.50 | 4.50 | 4.50 | 4.50 | 5.50 | 5.50 |
| FRD53 | 4.50 | 4.50 | 4.50 | 4.50 | 6.50 | 6.50 |
| FRD62 | 7.00 | 7.00 | 7.00 | 7.00 | 9.00 | 9.00 |
| FRD63 | 7.00 | 7.00 | 7.00 | 7.00 | 11.00 | 11.00 |

Main assembly codes

| Input coupling F | Input flange A | Output flange D | Input 2 stage B | Input Gears 3 stage E | Output stage C | Input 3 stage G |
|------------------|----------------|-----------------|-----------------|-----------------------|----------------|-----------------|
| KG8.XXX | K536.206.XXX | N/A | KRD53EG8 | KRD4I038 | KRD5U03940(50) | KRD53I039 |

