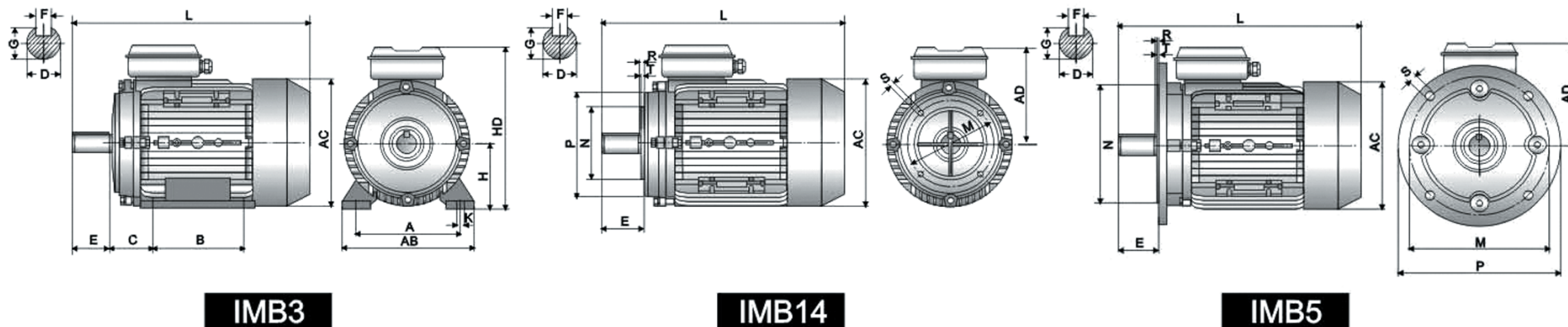


MC Series Single-Phase Capacitor Start Asynchronous Motors



Frame Size	Mounting Dimensions																				Overall Dimensions (mm)					
											IMB14					IMB5										
	A	B	C	D	E	F	G	H	K		M	N	P	R	S	T	M	N	P	R	S	T	AB	AC	AD	HD
71	112	90	45	14	30	5	11	71	7	85	70	105	0	M6	2.5	130	110	160	0	10	3.5	145	145	125	205	255
80	125	100	50	19	40	6	15.5	80	10	100	80	120	0	M6	3.0	165	130	200	0	12	3.5	160	165	135	235	295
90S	140	100	56	24	50	8	20	90	10	115	95	140	0	M8	3.0	165	130	200	0	12	3.5	180	185	145	265	335
90L	140	125	56	24	50	8	20	90	10	115	95	140	0	M8	3.0	165	130	200	0	12	3.5	180	185	145	265	360
100L	160	140	63	28	60	8	24	100	12	-	-	-	-	-	-	215	180	250	0	15	4.0	205	215	170	280	380
112M	190	140	70	28	60	8	24	112	12	-	-	-	-	-	-	215	180	250	0	15	4.0	245	240	180	310	400

Model	Power (KW)	Voltage (V)	Current (A)	Speed (r/min)	Efficiency (%)	Power Factor	Tstart/Tn (Time)	Tmax/Tn (Time)	Starting A. (A)	Run Capacitor (uf/v)
MC711-2	0.18	220	1.89	2800	60	0.72	3.0	1.8	12	75uf/300V
MC712-2	0.25	220	2.40	2800	64	0.74	3.0	1.8	15	75uf/300V
MC801-2	0.37	220	3.36	2800	65	0.77	2.8	1.8	21	100uf/300V
MC802-2	0.55	220	4.65	2800	68	0.79	2.8	1.8	29	150uf/300V
MC90S-2	0.75	220	6.09	2800	70	0.80	2.5	1.8	37	200uf/300V
MC90L-2	1.10	220	8.68	2800	72	0.80	2.5	1.8	60	300uf/300V
MC100L1-2	1.50	220	11.38	2900	74	0.81	2.5	1.8	80	400uf/300V
MC100L2-2	2.20	220	16.46	2900	75	0.81	2.2	1.8	120	400uf/300V
MC112M-2	3.00	220	21.88	1400	76	0.82	2.2	1.8	150	600uf/300V
MC711-4	0.12	220	1.88	1400	50	0.58	3.0	1.8	9	75uf/300V
MC712-4	0.18	220	2.49	1400	53	0.62	2.8	1.8	12	75uf/300V
MC801-4	0.25	220	3.11	1400	58	0.63	2.8	1.8	15	100uf/300V
MC802-4	0.37	220	4.24	1400	62	0.64	2.5	1.8	21	100uf/300V
MC90S-4	0.55	220	5.49	1400	66	0.69	2.5	1.8	29	100uf/300V
MC90L-4	0.75	220	6.87	1400	68	0.73	2.5	1.8	37	150uf/300V
MC100L1-4	1.10	220	9.52	1400	71	0.74	2.5	1.8	60	200uf/300V
MC100L2-4	1.50	220	12.45	1450	73	0.75	2.5	1.8	80	400uf/300V
MC112M-4	2.20	220	17.78	1450	74	0.76	2.2	1.8	120	600uf/300V