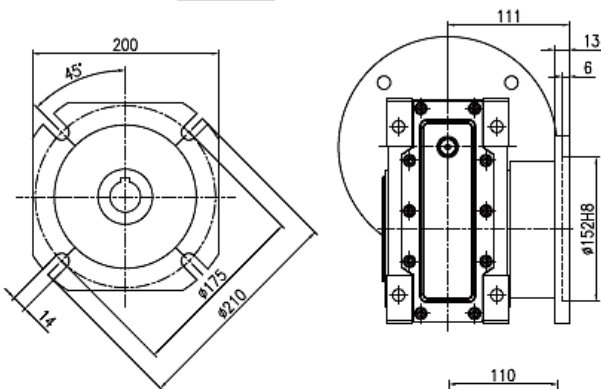
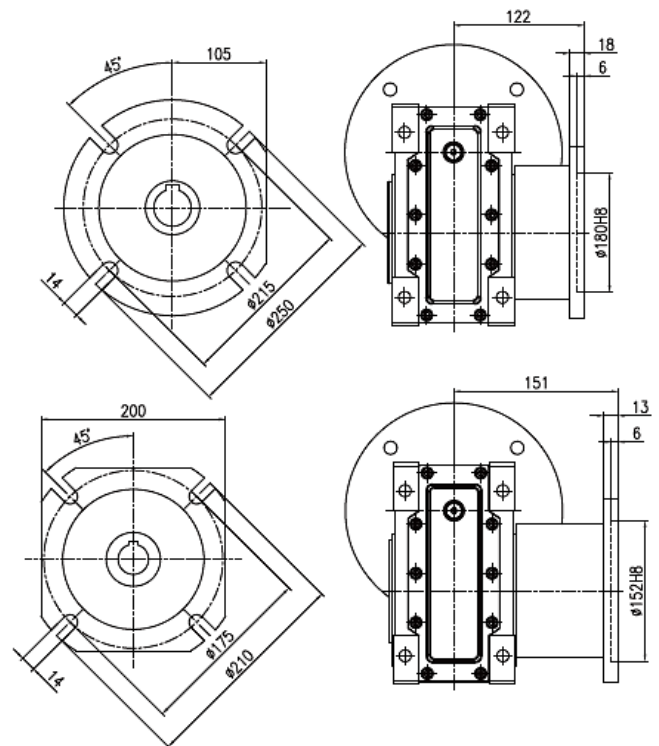


FA

FB



FC



FD

IEC	D (E8)	b	t	P	M	N	S	T	L	D1 (H8)	b1	t1
71B5	14	5	16.3	160	130	110	9	4	60	35	10	38.3
80B5	19	6	21.8	200	165	130	11	4	79	38*	10	41.3
80B14	19	6	21.8	120	100	80	7	4	69	40*	10	43.3
90B14	24	8	27.3	140	115	95	9	4	79	* Only on request		
90B5	24	8	27.3	200	165	130	11	4	79			
100/112B5	28	8	31.3	250	215	180	13.5	4.5	89			
100/112B14	28	8	31.3	160	130	110	9	4.5	89			