

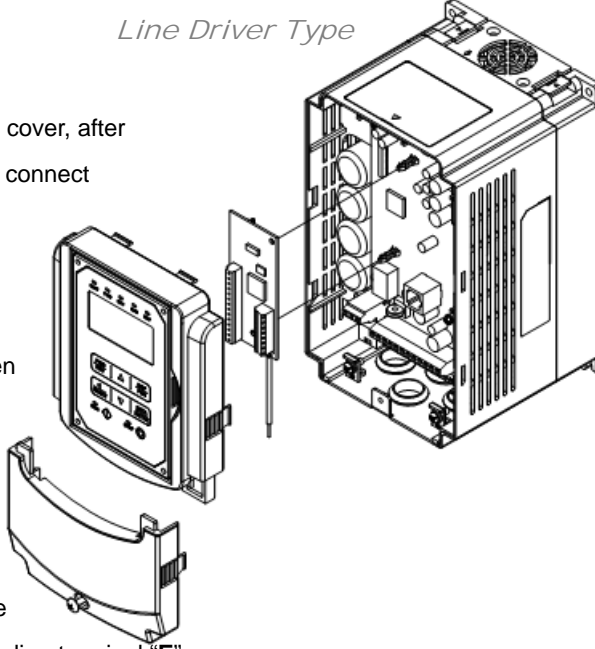


## JN5-PG-L Encoder Feedback Option Card Installation Manual

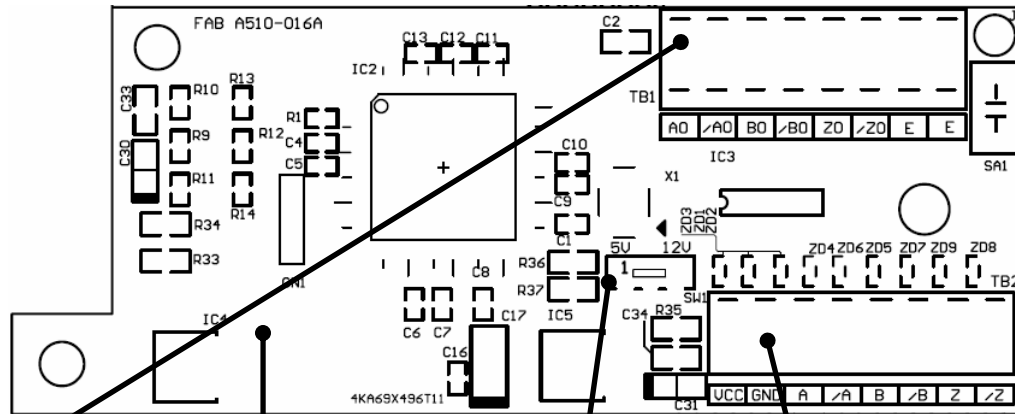
Line Driver Type

### Installation

- Turn off the power and remove front cover, after Charge LED became dark, **Do NOT** connect the wire or install PG card while Charge LED is bright.
- Insert the JN5-PG-L card into **CN3** connector of control board and fasten the card by a plastic standoff. (The plastic standoff can penetrate the hole, which is located on the right side of PG card.)
- Connect the grounding wire from the JN5-PG-L to the control board grounding terminal "E".



### JN5-PG-L Terminal Block Designation



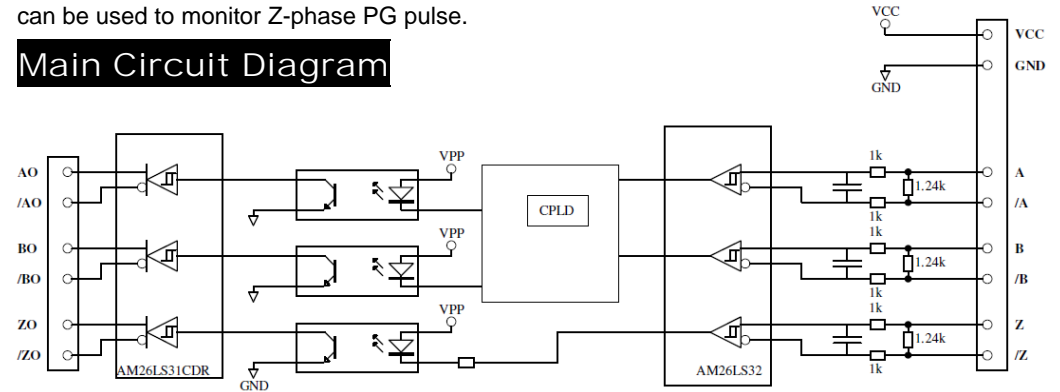
- Pulse Monitor
- PG Power Supply
- Output Terminal
- Switch Jumper (5V/12V)
- PG Signal Input Terminal
- CN2 Connector (Connect to CN3)

### Terminal Functions

Terminal Symbols	Function
Vcc	Power Supply for PG : 12V/5V±5%, 200mA
GND	Power Source and Input Signal Common
A, A\, B, B\, Z, Z\	PG Signal Input Terminal (Line Driver Type), RS-422 Level Input
AO, AO\, BO, BO\, ZO, ZO\	Pulse monitor output* : Line Driver Type, RS-422 Level Output
E	Grounding Terminal

\*Use 20-29 to set PG pulse output ratio for A/B-phase (AO-AO\, BO-BO\), the terminal "ZO-ZO\" can be used to monitor Z-phase PG pulse.

### Main Circuit Diagram



### Feedback Card Parameters

Function Group	Description
00-00	Control Mode Selection Selects VF+PG or SV control mode for close loop control.
20-00~06	Speed Control(ASR) Adjusts the speed control (ASR) to reduce speed fluctuation.
20-19~31	PG Feedback Set up Sets the PG pulse resolution, output ratio and related PG functions.

\* Please read the latest A510 instruction manual for detailed parameter setting.

### Notices

- JN5-PG-L feedback card is designed for A510 series drive, please read through A510 instruction manual before installation.
- Use shielding cable to reduce noise effect, separate wiring the control cable and power cable
- Support Line Driver type pulse (encoder) signal, the maximum wire length is 300m.
- The maximum response frequency of JN5-PG-L is 300 kHz.

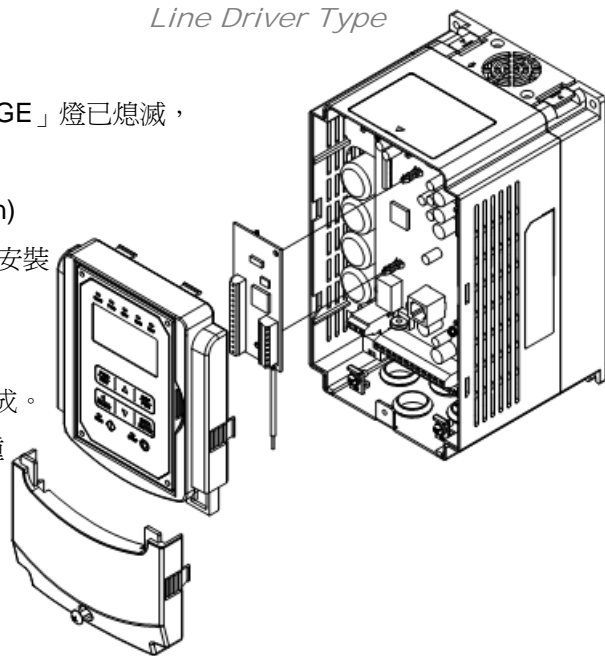


# JN5-PG-L 速度回授卡安裝說明書

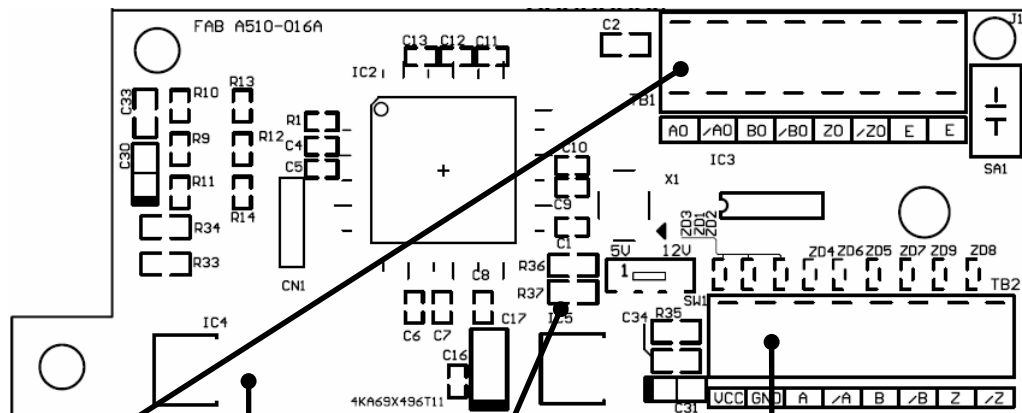
Line Driver Type

## 安裝說明

- ① 關閉主回路電源，並確認「CHARGE」燈已熄滅，打開變頻器前方上/下蓋。
- ② 將變頻器控制基板上的 CN3(36pin) 與回授卡(JN5-PG-L)的 CN2 直接安裝在一起，在控制基板的塑膠支撐柱穿入回授卡上的支撐孔，將其插入直到有"喀嚓"聲出現後才算固定完成。  
A510 2001~2002/4001~4003 機種僅需 2 個支撐柱即可固定。
- ③ 將回授卡上的綠色接地線連接至控制板端子臺上的接地端子"E"。



## JN5-PG-L 回授卡



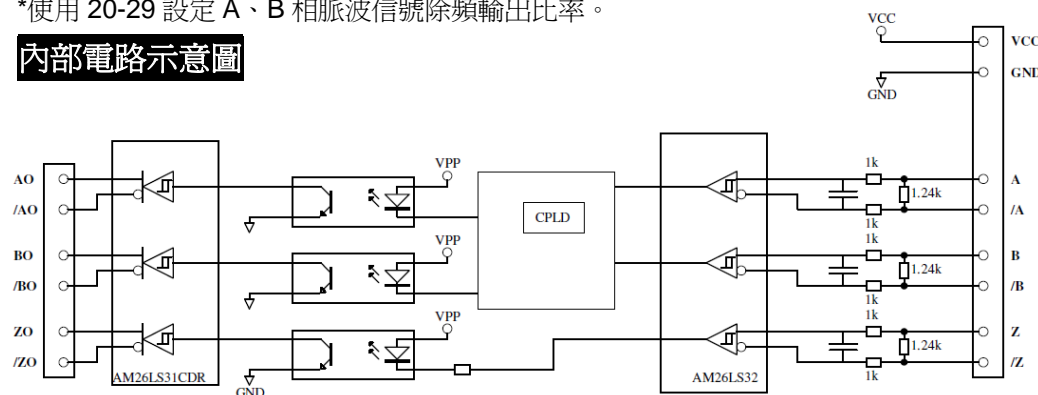
- 脈波監測輸出端子
- CN2 端子 (連接至 CN3)
- 編碼器電源 選擇跳線(5V/12V)
- 編碼器信號輸入端子

## 端子說明

端子名稱	說明
Vcc	編碼器電源接點：12V/5V±5%，200mA
GND	電源及輸入信號參考點
A, A\, B, B\, Z, Z\	編碼器信號輸入端子，需兩相輸入方可有正確之除頻比輸出，Line Driver 輸入型式：RS-422 Level 輸入
AO, AO\, BO, BO\, ZO, ZO\	A、B 相除頻輸出端子*，Z 相監視輸出端子 Line Driver 輸出型式：RS-422 Level 輸出
E	接地端子

\*使用 20-29 設定 A、B 相脈波信號除頻輸出比率。

## 內部電路示意圖



## 參數設定

參數群組	說明
00-00	控制模式選擇 設定變頻器為 VF+PG 或 SV 控制模式。
20-00~06	速度控制器 調整速度控制器(ASR)的響應與速度誤差。
20-19~31	PG 回授設定 設定編碼器解析度、除頻比等回授卡參數值。

註：詳細參數設定說明，敬請參閱最新版 A510 操作手冊。

## 注意事項

- ① JN5-PG-L 適用於東元 A510 系列變頻器，安裝前請務必研讀 A510 操作手冊。
- ② 為防止雜訊干擾請務必使用隔離線連接，並且與其他動力線分離配線。
- ③ JN5-PG-L 卡只能配合差動式編碼器(Line Driver Encoder)，最大配線長度為 300m。
- ④ 速度回授卡的最高響應頻率為 300kHz。