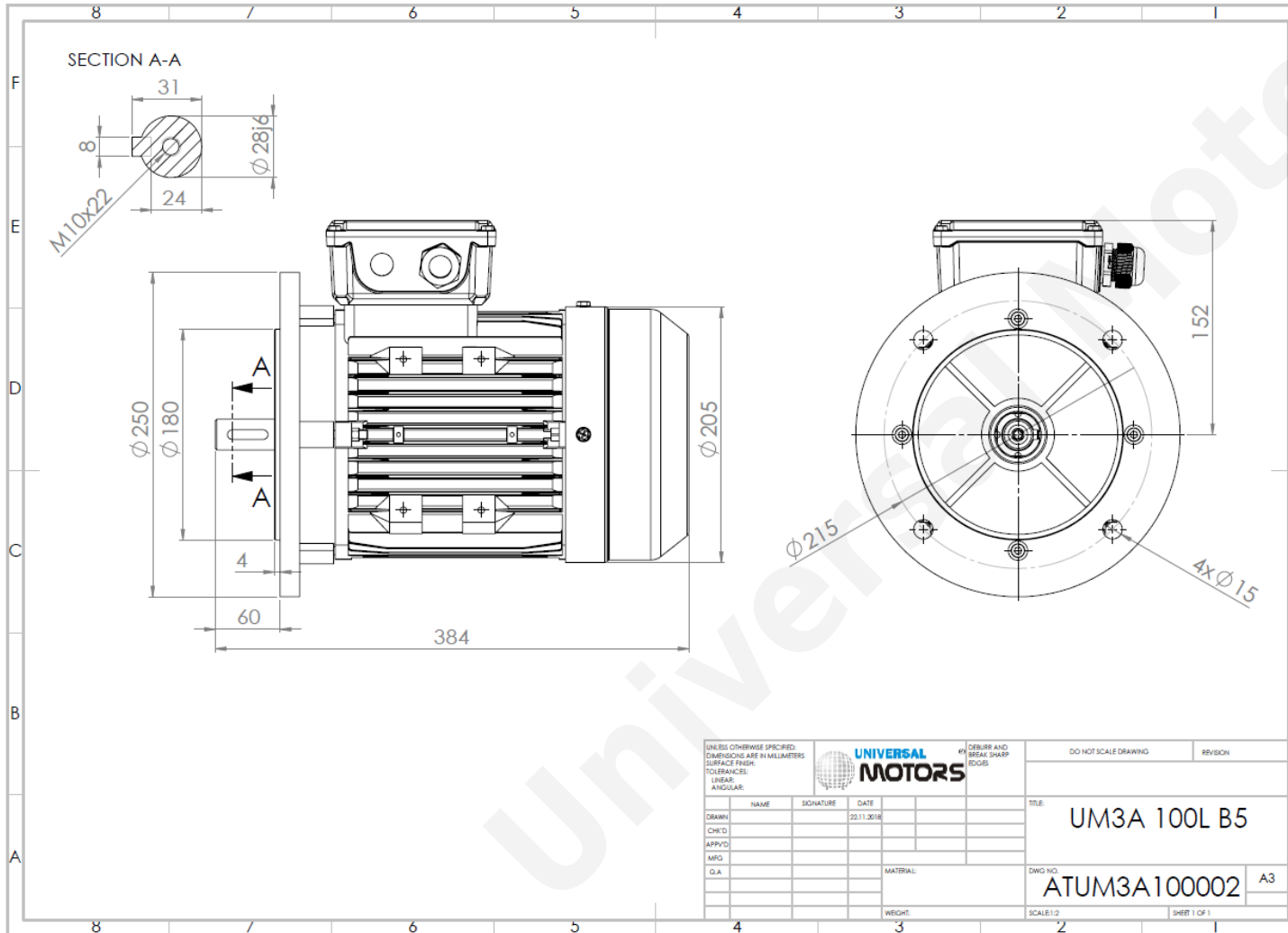


TECHNICAL DATA

Three Phase Electric Motors - Aluminum Frame
UM3A 100L-6 IE3
1.5 kW / 2.0 Cv
955 RPM



Motor type:	UM3A 100L-6 IE3
Output:	1.5 kW / 2.0 Cv
Speed (min^{-1}):	955 RPM
Voltage:	400 V
Frequency:	50 Hz
Current:	3.6 A
Power factor ($\text{Cos } \phi$):	0.74
Poles:	6
Insulation class:	F
Temperature rise Class:	B
Efficiency 50%:	80.4 %
Efficiency 75%:	83.0 %
Efficiency 100%:	82.5 %
Torque:	15.0 N.m
Tstarting/Tnominal:	2.1
Istarting/Inominal:	60.0
Tmaximum/Tnominal:	2.1
Noise:	61 Db(A)
Weight:	27.0 Kg
Bearing DE:	6206 2Z C3
Bearing NDE:	6206 2Z C3

Regime - S1

Altitude - 1000m

Environment Temperature - 40°C

CONTACTS:

Universal Motors UK, Ltd
Unit E2, Meltham Mills Industrial Estate, Meltham Mills Road, Meltham, Holmfirth
West Yorkshire HD9 4AR, U.K

Tel: +44(0) 1484 660 222

Fax: +44(0) 1484 660 333

Mail: enquiries@universalmotors-group.co.uk

* References applied only in the UK