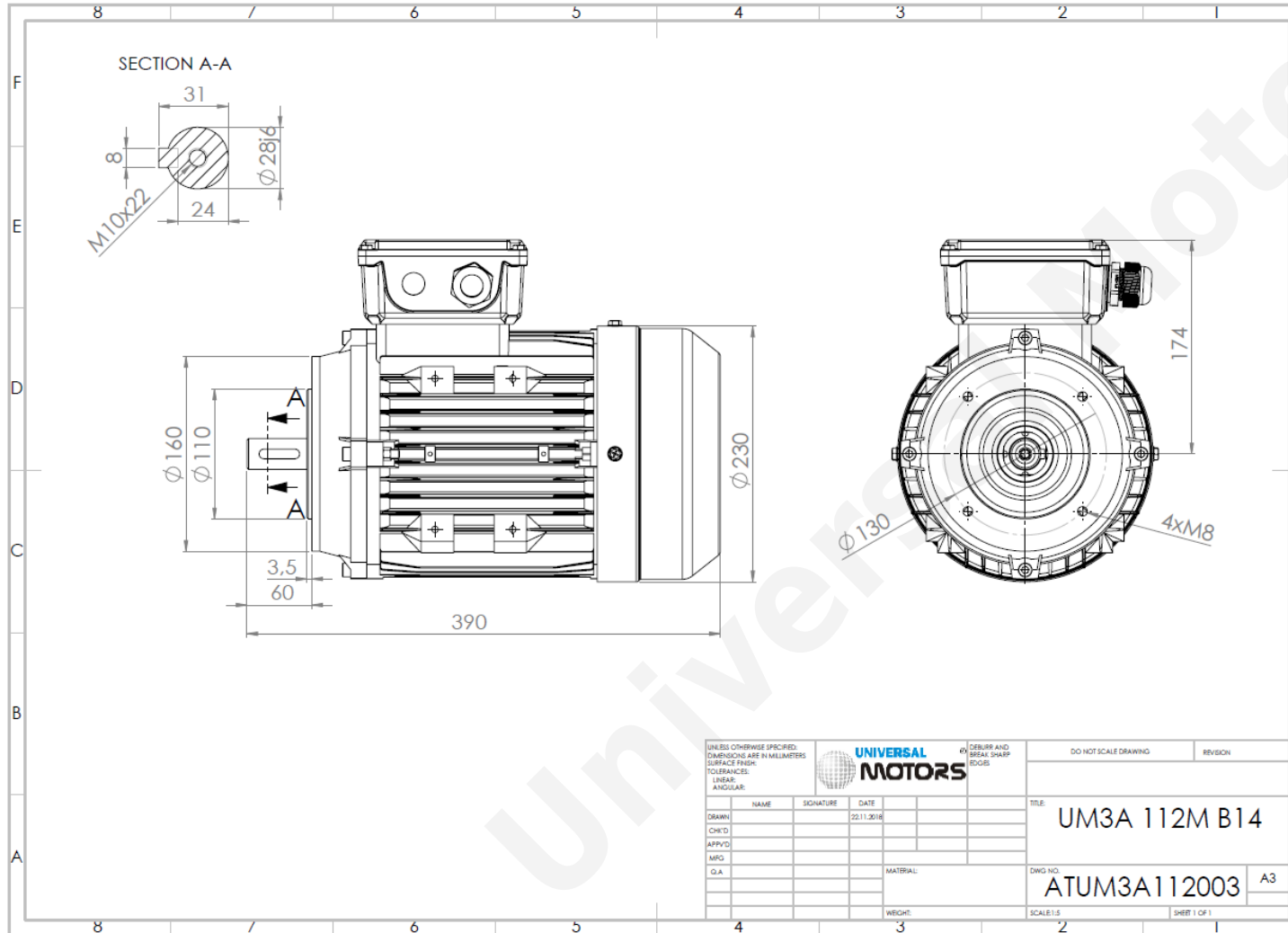


TECHNICAL DATA

Three Phase Electric Motors - Aluminum Frame
 UM3A 112M-6 IE3
 2.2 kW / 3.0 Cv
 950 RPM



Motor type:	UM3A 112M-6 IE3
Output:	2.2 kW / 3.0 Cv
Speed (min ⁻¹):	950 RPM
Voltage:	400 V
Frequency:	50 Hz
Current:	5.1 A
Power factor (Cos ϕ):	0.74
Poles:	6
Insulation class:	F
Temperature rise Class:	B
Efficiency 50%:	82.2 %
Efficiency 75%:	84.5 %
Efficiency 100%:	84.3 %
Torque:	22.1 N.m
Tstarting/Tnominal:	2.1
Istarting/Inominal:	6.0
Tmaximum/Tnominal:	2.1
Noise:	64 Db(A)
Weight:	28.0 Kg
Bearing DE:	6306 2Z C3
Bearing NDE:	6306 2Z C3

Regime - S1

Altitude - 1000m

Environment Temperature - 40°C

CONTACTS:

Universal Motors UK, Ltd
 Unit E2, Meltham Mills Industrial Estate, Meltham Mills Road, Meltham, Holmfirth
 West Yorkshire HD9 4AR, U.K

Tel: +44(0) 1484 660 222
 Fax: +44(0) 1484 660 333

Mail: enquiries@universalmotors-group.co.uk

* References applied only in the UK